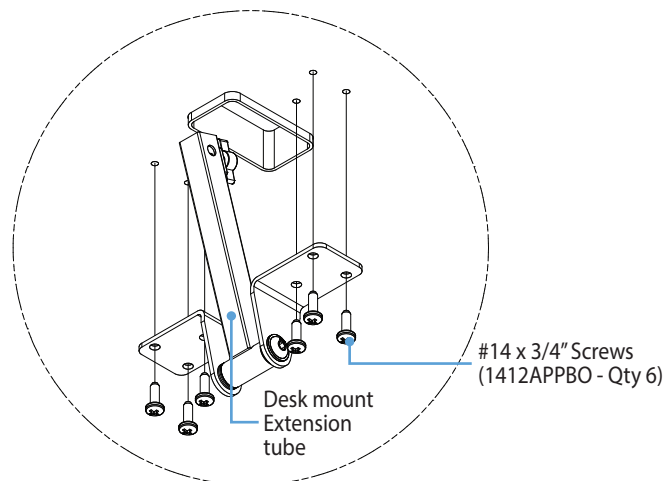


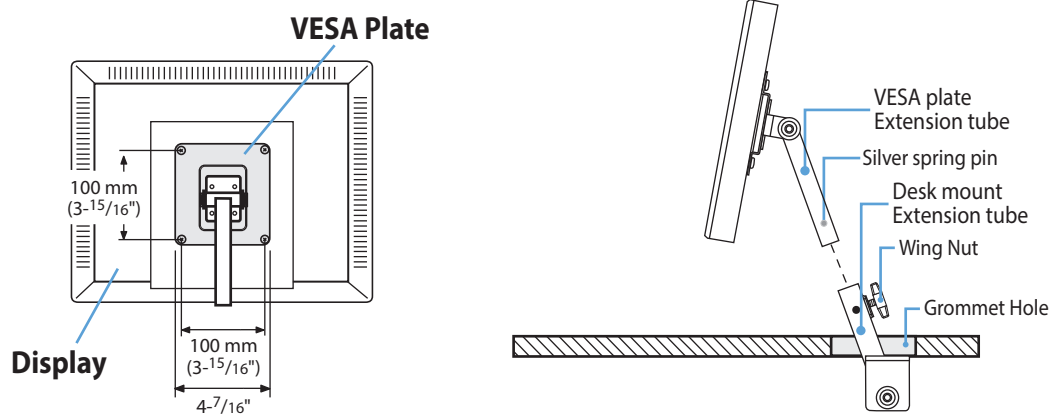
How to: Install Surface Mount Arm (SMA)

To install the Surface Mount Arm begin by loosening the **wing nut** and depressing the **silver spring pin** to remove the **VESA plate extension tube** from the **desk mount extension tube**. If your monitor has a VESA mounted stand remove it and attach the flat panel display to **VESA Plate** (using screws located on the back of your flat panel display, supplied by the manufacturer). **FPA ships standard with 100mm VESA plate - 75mm VESA plate available upon request. Contact Customer Support for more information.**



Underside of Worksurface

If your monitor has a VESA mounted stand remove it and attach the flat panel display to **VESA Plate** (using screws located on the back of your flat panel display, supplied by the manufacturer). **FPA ships standard with 100mm VESA plate - 75mm VESA plate available upon request. Contact Customer Support for more information.**



Once your flat panel display is securely mounted to the **VESA plate** depress **silver spring pin** on **VESA plate extension tube** and slide it back into the **desk mount extension tube**. Tighten **wing nut** to secure. **When installing some Apple® flat panel displays, a VESA Adapter may be necessary. Contact Customer Support for more information.**