


The Trolley™ EXL Monitor Lift

From the classroom to the corporate office, The Trolley™ family of innovative flat panel monitor lifts offers a flexible, secure, and space-saving solution for any computer environment. With the press of a button, the display emerges from its fully recessed compartment beneath the work surface while the patented access door provides a clean, uncluttered work space.

Push button activation with an automatic, retractable door provides a hassle-free way of hiding the flat panel display when not in use and making it emerge from beneath the desktop when needed.

Intelligent Motion Technology™ protects the unit from accidental damage or vandalism through constant monitoring of the Trolley's current operational status.

Compatible with  **NOVA Linked™** - A networking system that allows instructors to have complete control of NOVA's Trolley monitor lifts. (Ask your sales representative or visit www.novadesk.com for more information)

The Trolley EXL accommodates most 24" widescreens.

Note: The Trolley™ EXL uses 110-240 Volts, 50-60 Hz, Universal Power Supply, U.S. Plug (adapter required in some countries)

The Trolley™ EXL Basic Operation



- 1 Conveniently located push buttons allow the monitor to raise and lower with ease.
- 2 Fully closing access door provides protection of the mechanics (in raised position) and monitor (in lowered position) as well as provides a sleek look to any work surface

NOVA Solutions, Inc.
421 Industrial Avenue
Effingham, IL 62401
800-830-6682 • 800-940-6682 (Fax)
www.novadesk.com
sales@novasolutionsinc.com

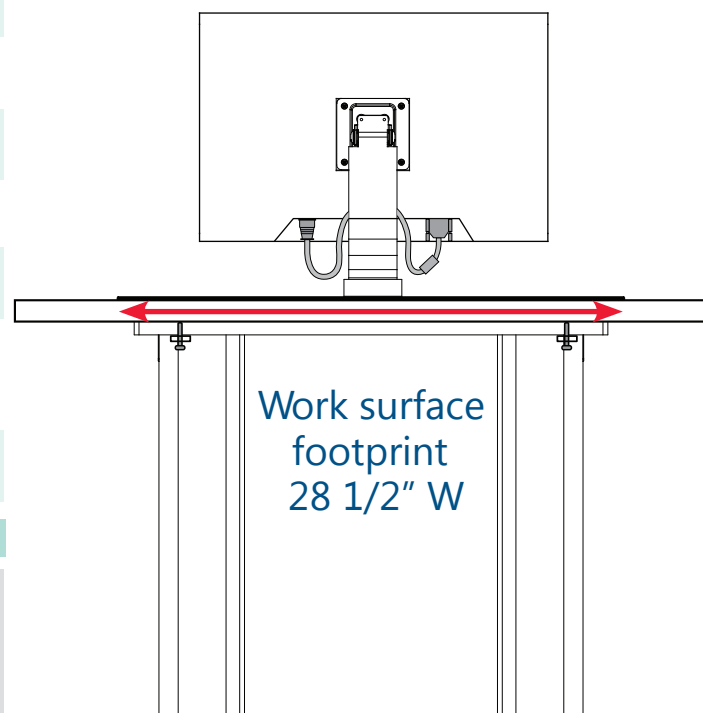


The Trolley™ EXL Monitor Lift

Features	The Trolley™ EXL
Available In All NOVA Furniture	Yes
Keyboard Drawer Availability	Standard NOVA Keyboard Tray
Wire Management	Built-in
Electric Motor Driven Lift	Yes
Access Doors	Auto/Retractable
Activation Control	Push Button - Up/Down
Intelligent Motion Technology™	Yes
Interface With Control System	Only With NOVALinked™ System
Locking	Only With NOVALinked™ System
Vertical Tilt Monitor Adjustment	Yes - In Raised Position
Flat Panel Display Accommodation	Up to 24" Widescreen Monitor
Max Flat Panel Display Dimensions	2½" D x 22⅞" W x 14½" H
Work Surface Footprint Dimensions	8½" D x 28½" W
Minimum Work Surface Depth	24"
Minimum Knee Space Width	27"
Factory Installed	Yes - Factory Assembled Units Only
Available As A Retrofit Kit	Yes
DIY Installation	Yes - Instructions Included
Warranty (Optional Extended Warranty Available)	3 Years (Some restrictions apply)
Made From 100% Recyclable Materials	Yes



Holds up to 24" Widescreen Monitors



NOVA Solutions, Inc.

421 Industrial Avenue
Effingham, IL 62401
800-830-6682 • 800-940-6682 (Fax)
www.novadesk.com
sales@novasolutionsinc.com

