



# Surface Mount Arm Retrofit Kit Assembly Instructions

## SMA-0-0203-NK-

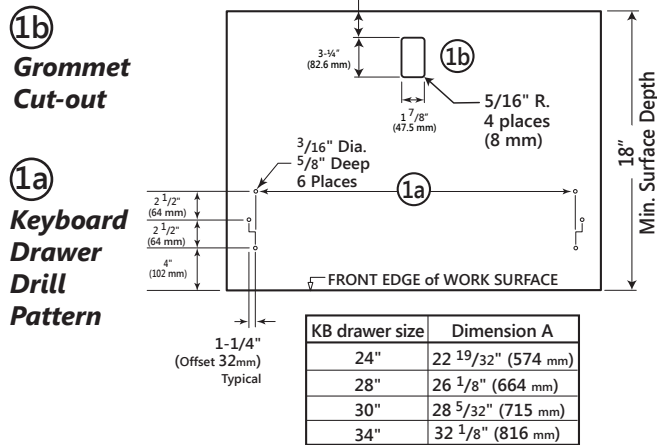
-XK for No Keyboard Size Option

Keyboard Size Options: 24 / 28 / 30 / 34

### Step 1

Cut opening for grommet, (Figure 1). Note the grommet cut-out distance from back edge of work surface. Insert grommet sleeve (E) into cut-out (1b).

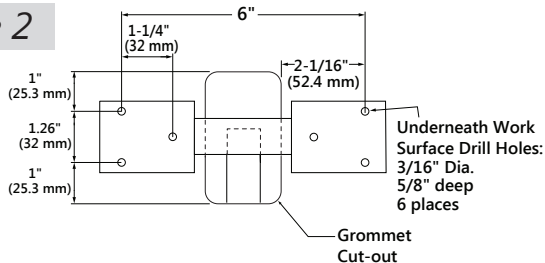
Figure 1



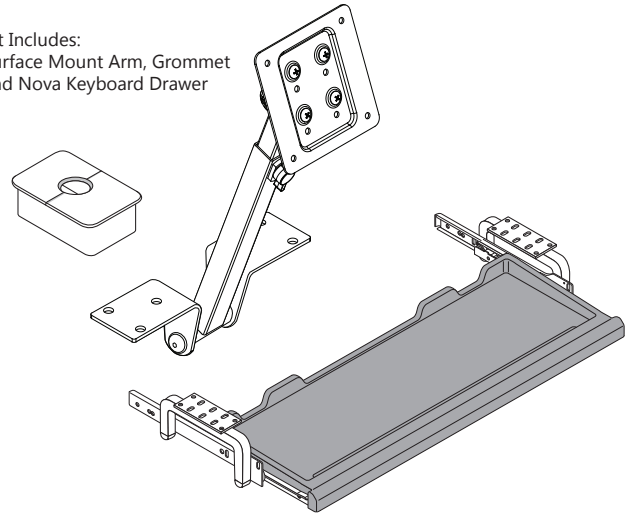
### Step 2

Using the template provided, drill holes for the Surface Mount Arm bracket on underneath side of work surface. Holes should be centered over grommet cut-out, (Figure 2).

Figure 2



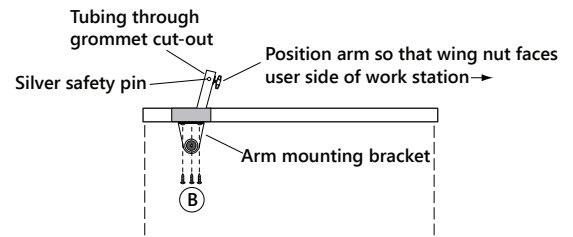
Kit Includes:  
Surface Mount Arm, Grommet  
and Nova Keyboard Drawer



### Step 3

With the tubing of the Surface Mount Arm through grommet cut-out, secure the arm bracket underneath the desk top using six sheet metal screws (B), see Figure 3. (NOTE: You may first have to depress the Silver Safety Pin on tubing to separate the Arm into two pieces).

Figure 3



## Packing List

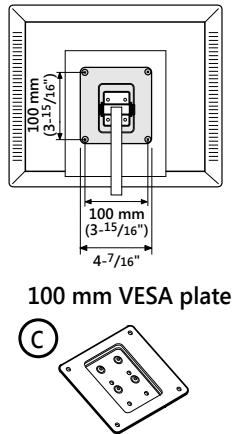
QTY	REF #	ITEM #	DESCRIPTION
1	A	SMA-1-0203-NK	FPD Surface Mount Arm with NOVA Keyboard
10	B	31454	#14 x 3/4" Sheet metal screws
1	C	Flat Panel Plate	100mm VESA Plate (75mm VESA Plate sold separately)
4	D	10628-03819	M4 - .07 x 8 FH PH Black Screw
1	E	50-8-1080	Grommet
1	F	20060126	Keyboard Hanger with Glide - Left
1	G	20060127	Keyboard Hanger with Glide - Right
2	H	50900032	# 14 x 1-1/2" Screw
1	J	NK (Varies by Size)	NOVA Keyboard Drawer (Varies by Size)

## Step 4

Remove flat panel display base. Attach flat panel display to VESA plate (C) using screws located on back of flat panel display, supplied by manufacturer (Figure 4).

Figure 4

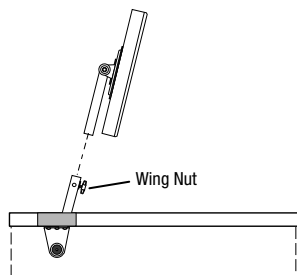
### Attaching VESA plate to Flat Panel Display



## Step 5

Slide extension tube that is attached to VESA plate into the extension tube protruding through grommet hole, (Figure 5). After desired monitor height is reached, tighten wing nut to ensure extension tubes do not slide. When installing some Apple® flat panel displays, a VESA Adapter may be necessary. Contact Customer Support for more information.

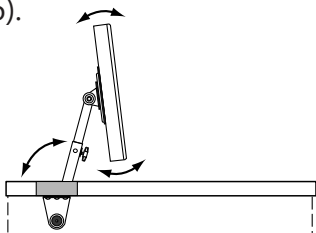
Figure 5



## Step 6

Adjust flat panel angle to desired location by firmly grasping top and bottom of monitor and tilting (Figure 6).

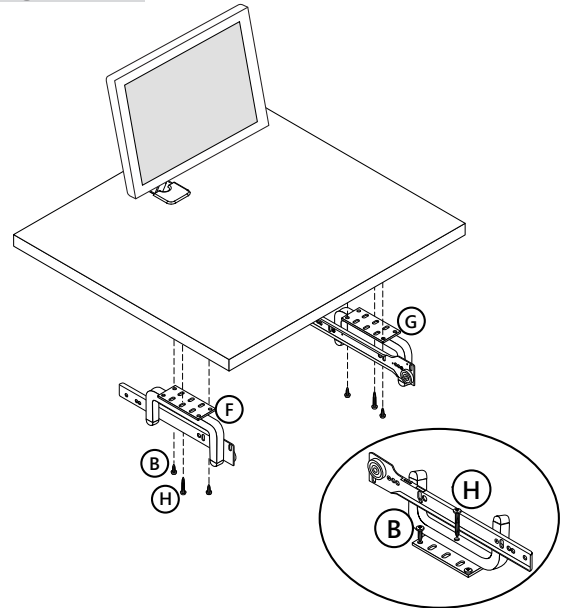
Figure 6



## Step 7

Attach keyboard hangers (F, G, Figure 7), to underside of work surface with screws (B, H). NOTE: The longer screws (H) pass through the tubular section of the keyboard hanger. This allows the assembly to be leveled by loosening or tightening the screws.

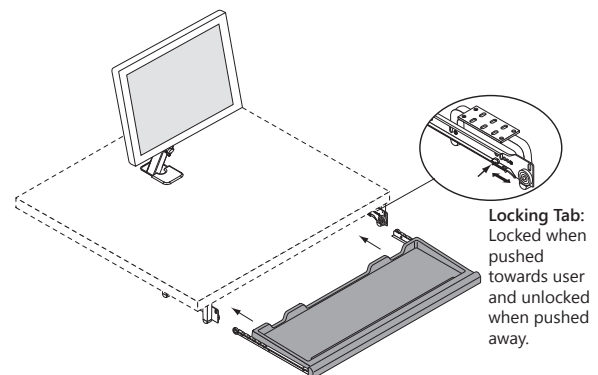
Figure 7



## Step 8

Slide keyboard drawer into glides and use locking tabs to secure in place (Figure 8).

Figure 8



**Locking Tab:**  
Locked when pushed towards user and unlocked when pushed away.