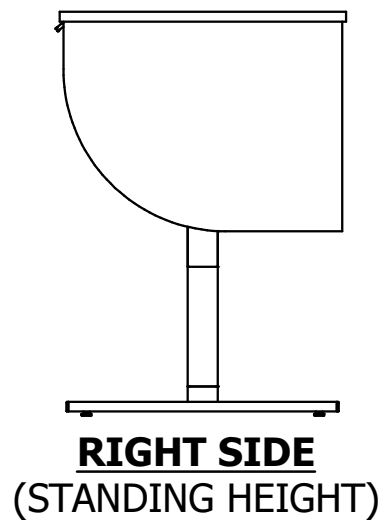
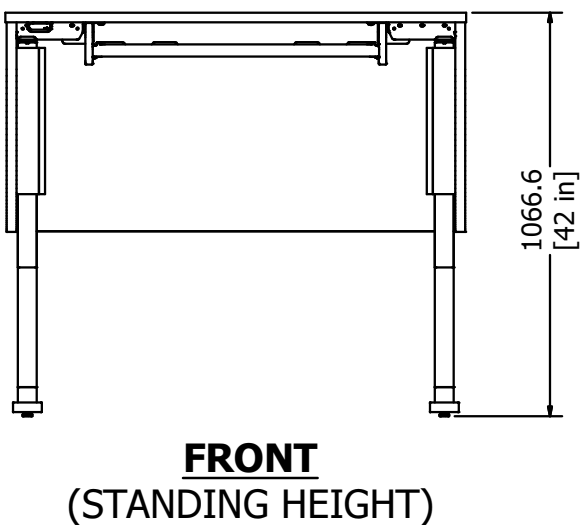
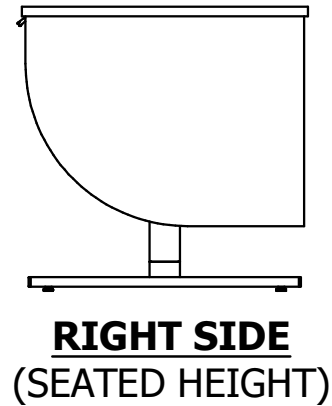
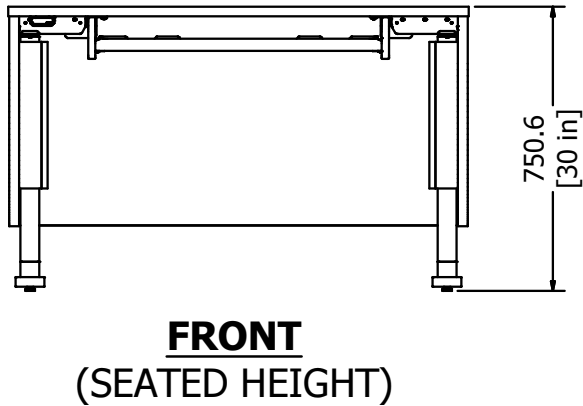
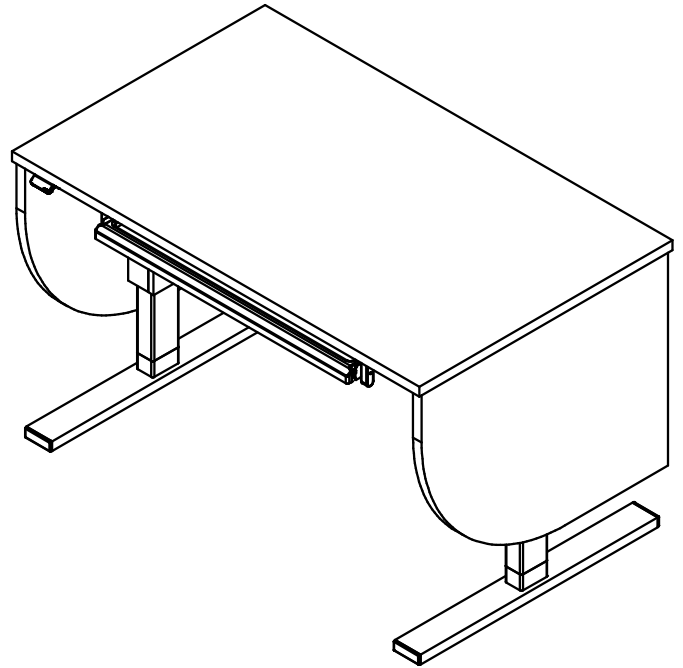
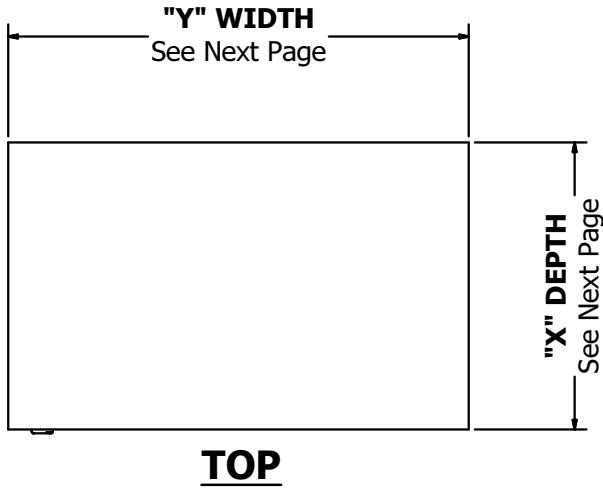


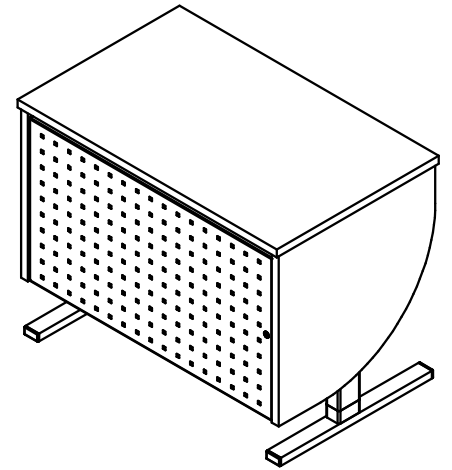
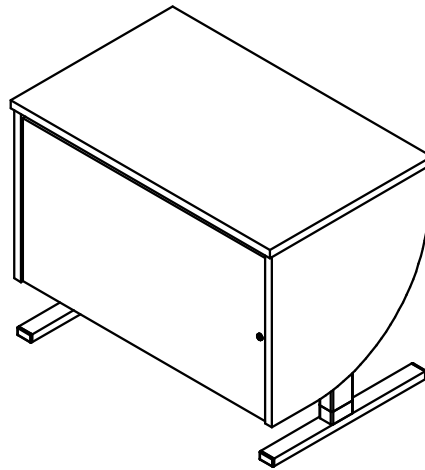
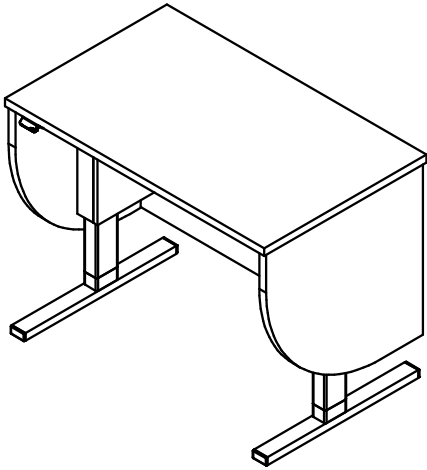
SIT-STAND PODIUMS



SIT-STAND PODIUMS

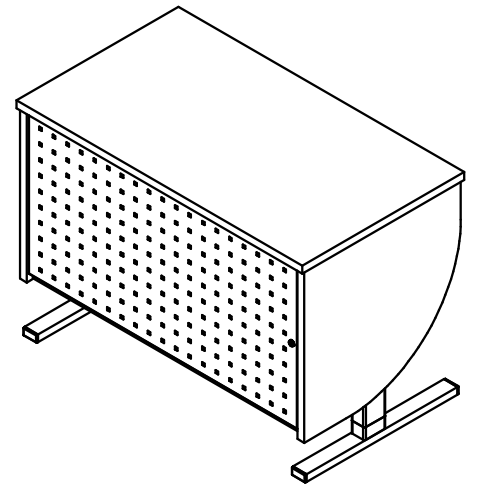
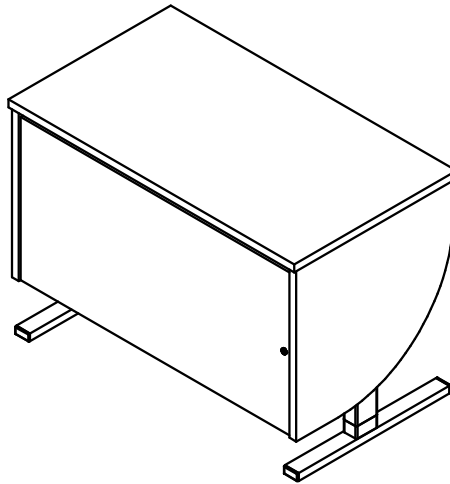
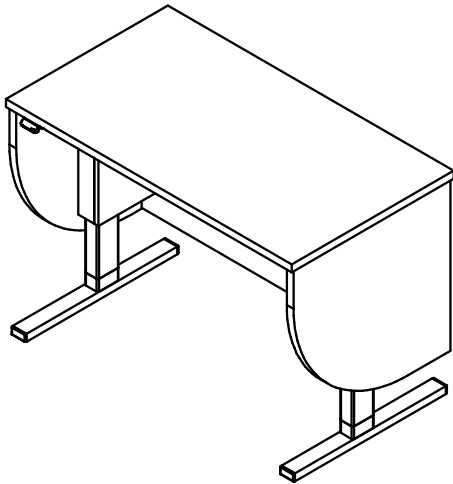
68-PS243830

24"D x 38"W x 30"H



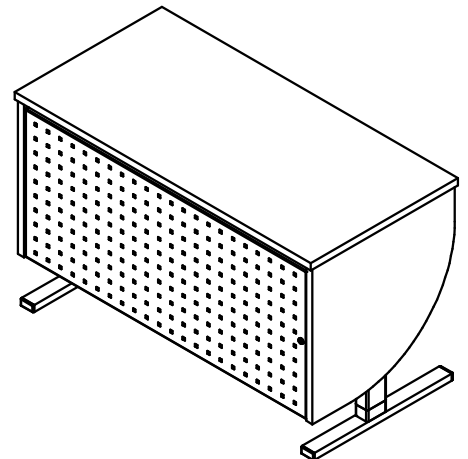
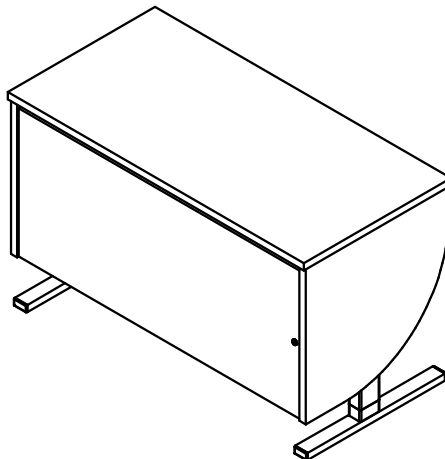
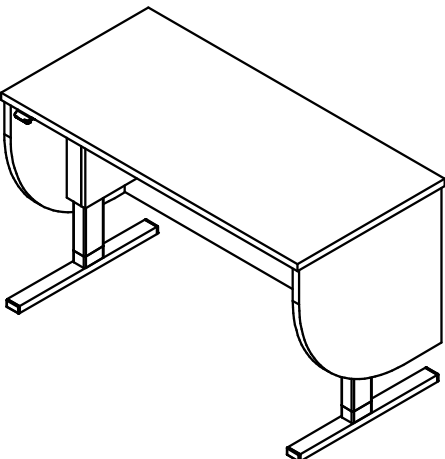
68-PS244230

24"D x 42"W x 30"H



68-PS244830

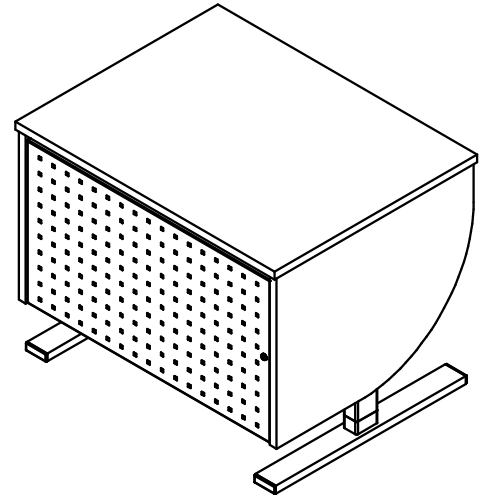
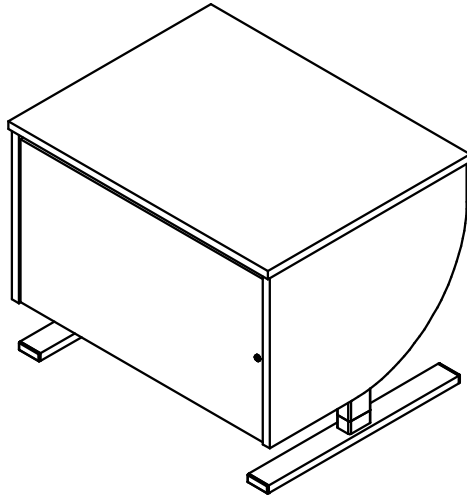
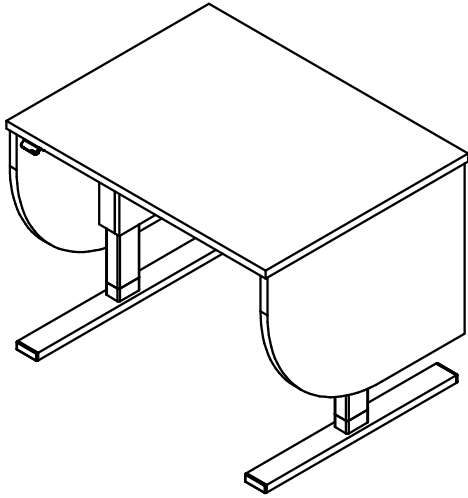
24"D x 48"W x 30"H



SIT-STAND PODIUMS

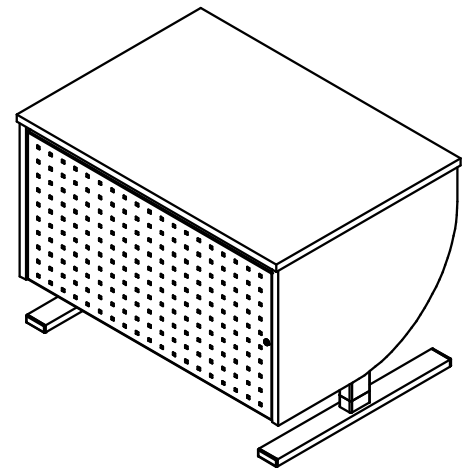
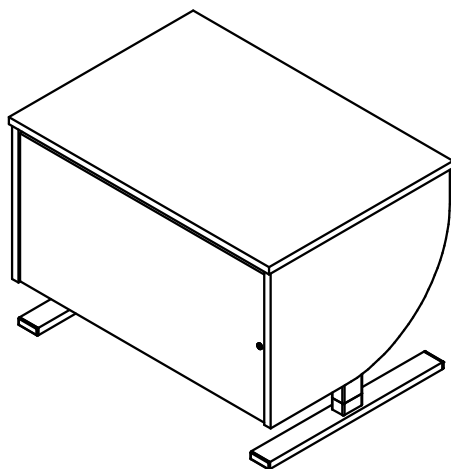
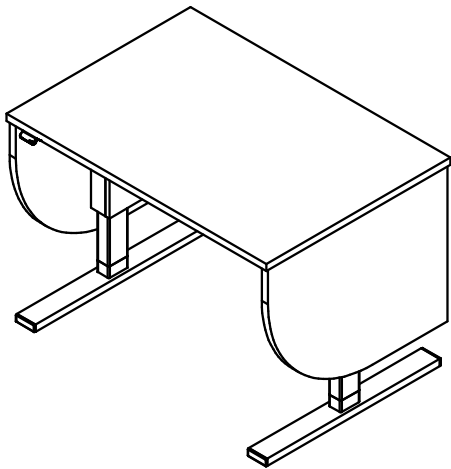
68-PS303830

30"D x 38"W x 30"H



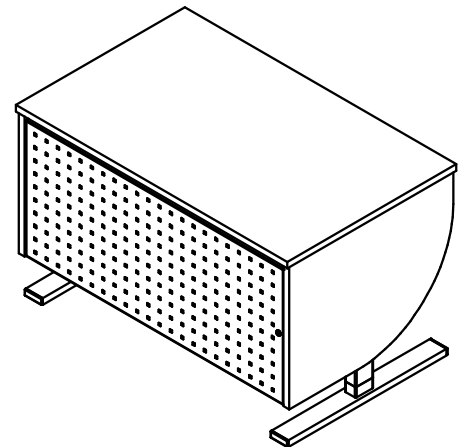
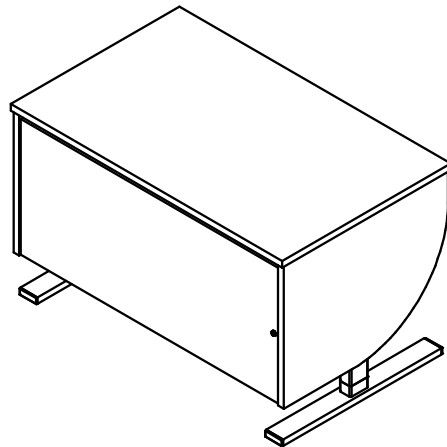
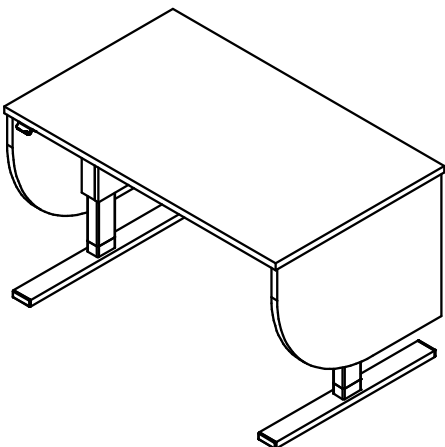
68-PS304230

30"D x 42"W x 30"H



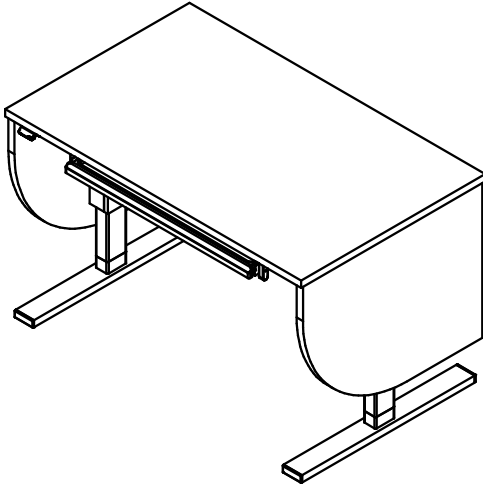
68-PS304830

30"D x 48"W x 30"H

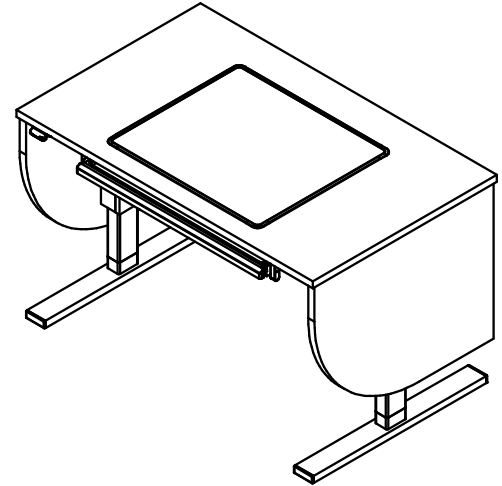


SIT-STAND PODIUM TECH OPTIONS

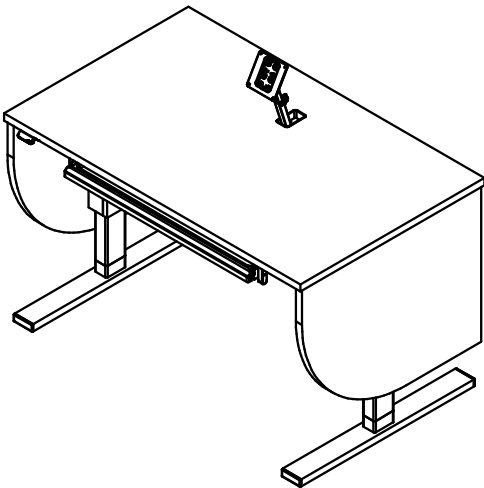
**NOVA
KEYBOARD**



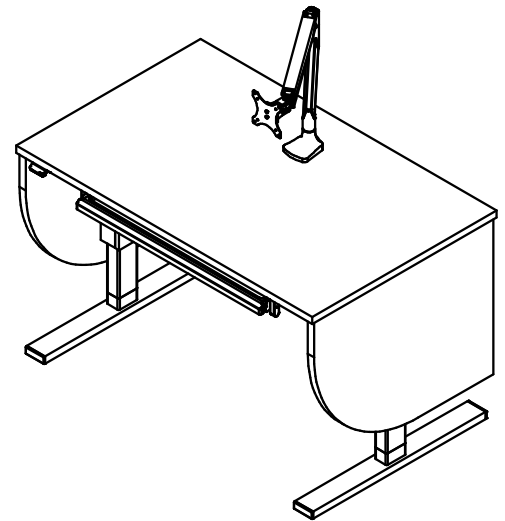
**21"x24"
DOWNVIEW**



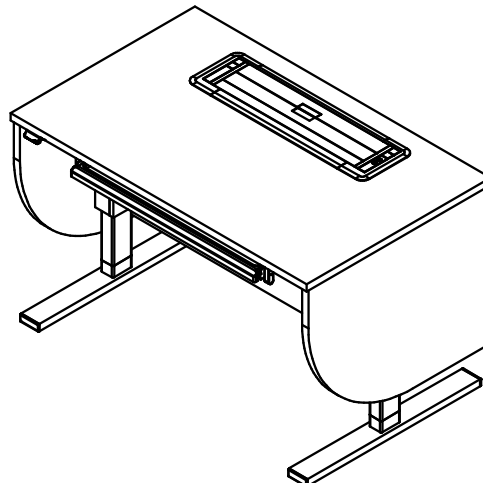
**SURFACE MOUNT
ARM**



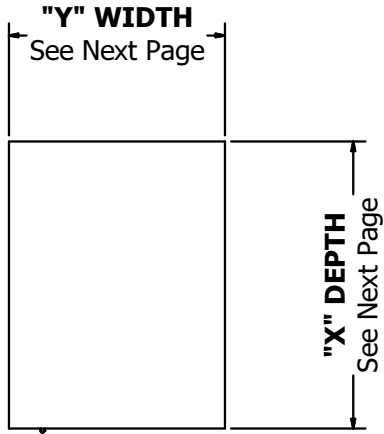
**ARTICULATING SURFACE
MOUNT ARM**



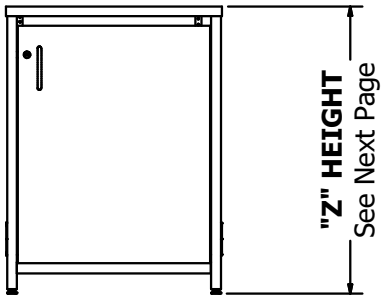
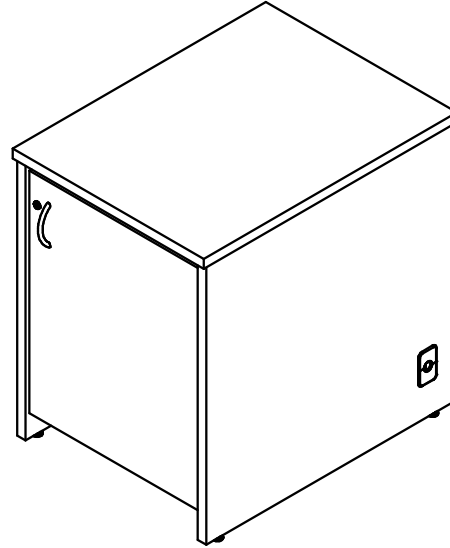
**24"
TROLLEY**



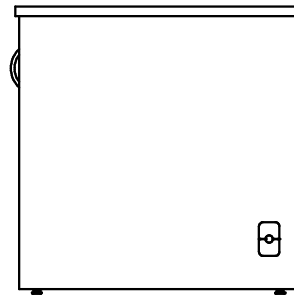
AV RACK RAIL CABINETS



TOP



FRONT

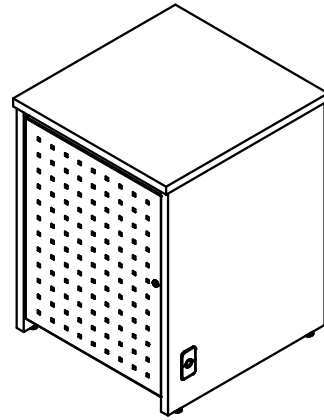
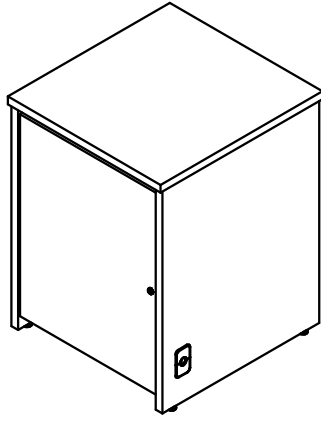
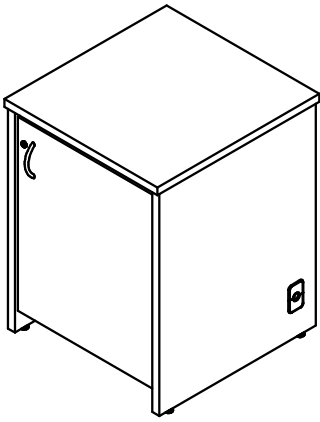


RIGHT SIDE

AV RACK RAIL CABINETS

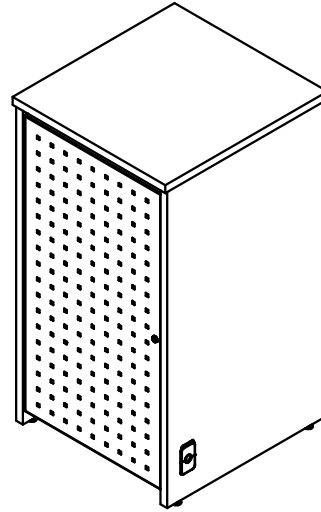
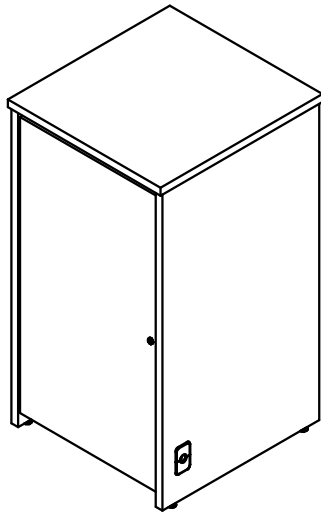
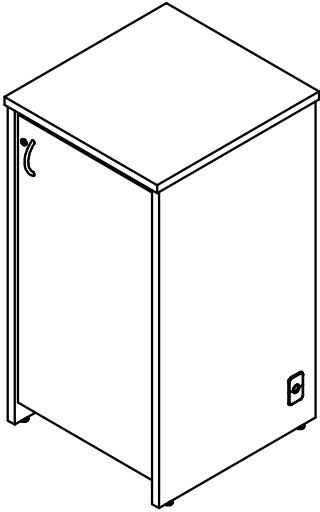
68-RC242230

24"D x 22"W x 30"H



68-RC242242

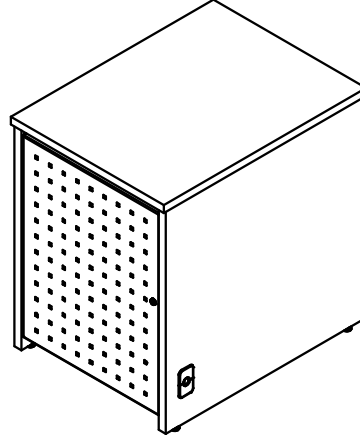
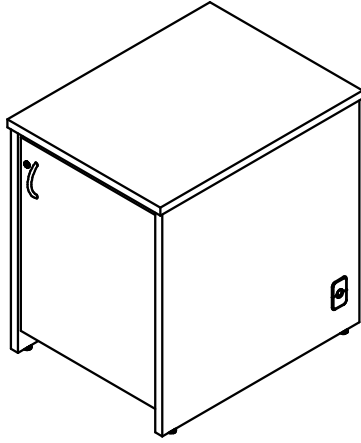
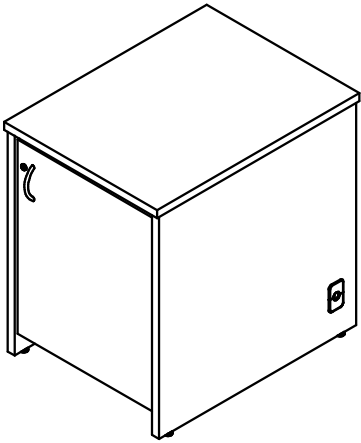
24"D x 22"W x 42"H



AV RACK RAIL CABINETS

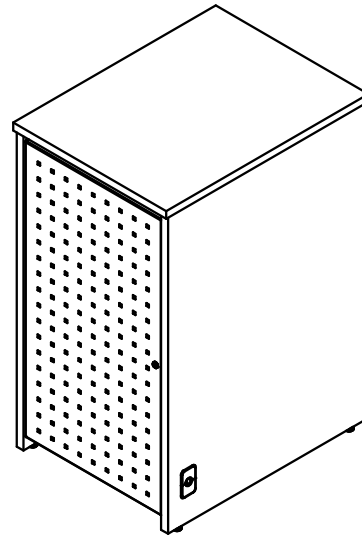
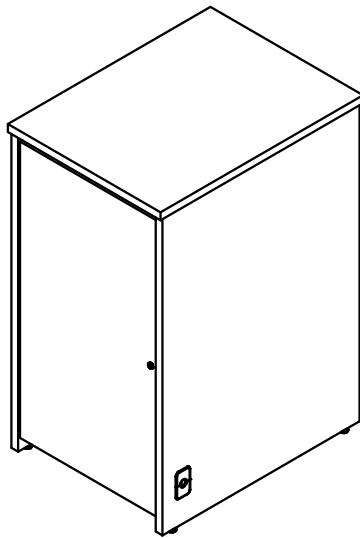
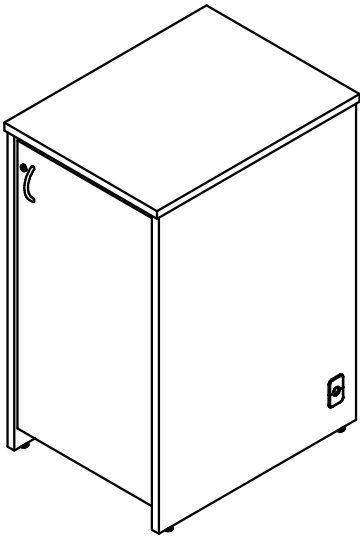
68-RC302230

30"D x 22"W x 30"H

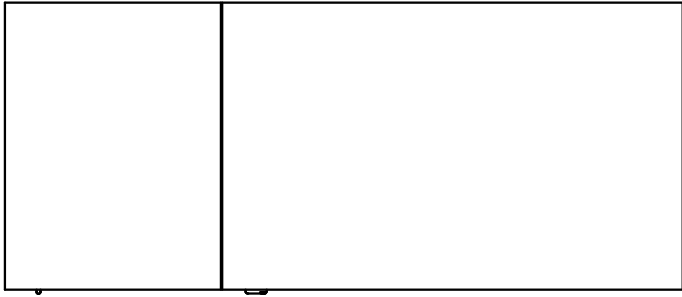


68-RC302242

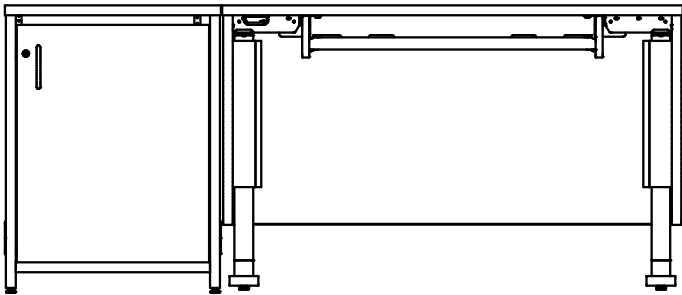
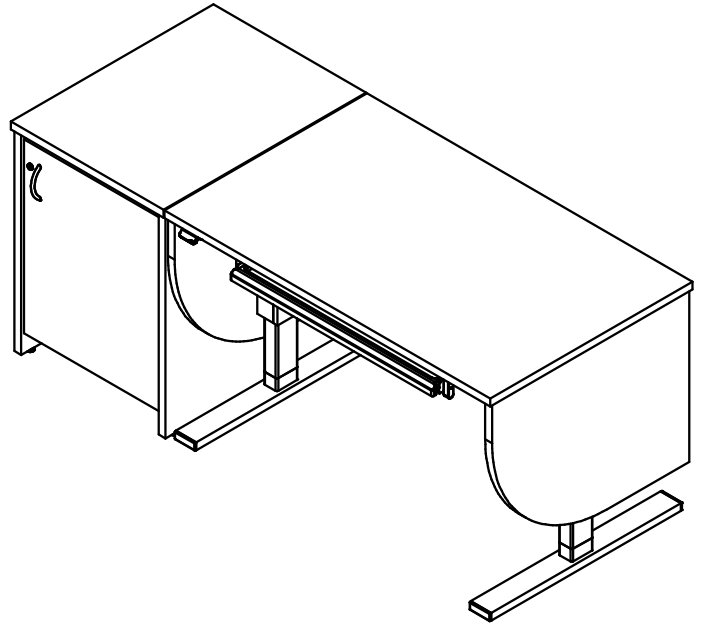
30"D x 22"W x 42"H



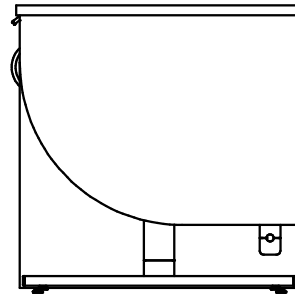
SIT-STAND PODIUMS W/ AV RACK RAIL CABINETS (LEFT)



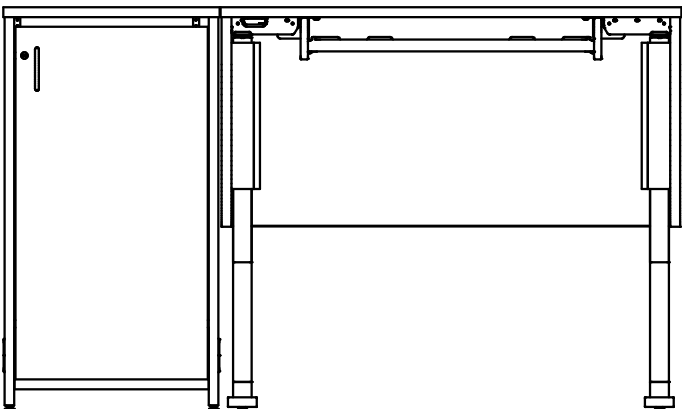
TOP



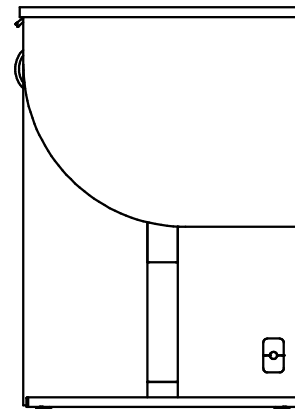
FRONT
(SEATED HEIGHT)



RIGHT SIDE
(SEATED HEIGHT)



FRONT
(STANDING HEIGHT)

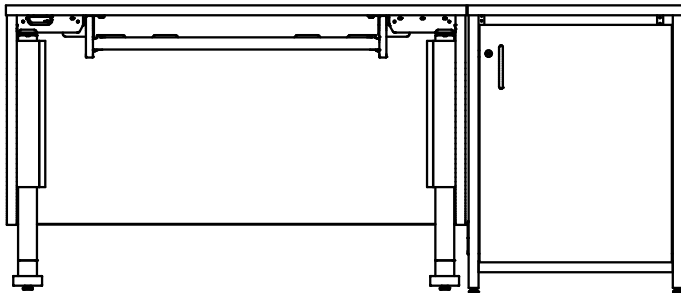
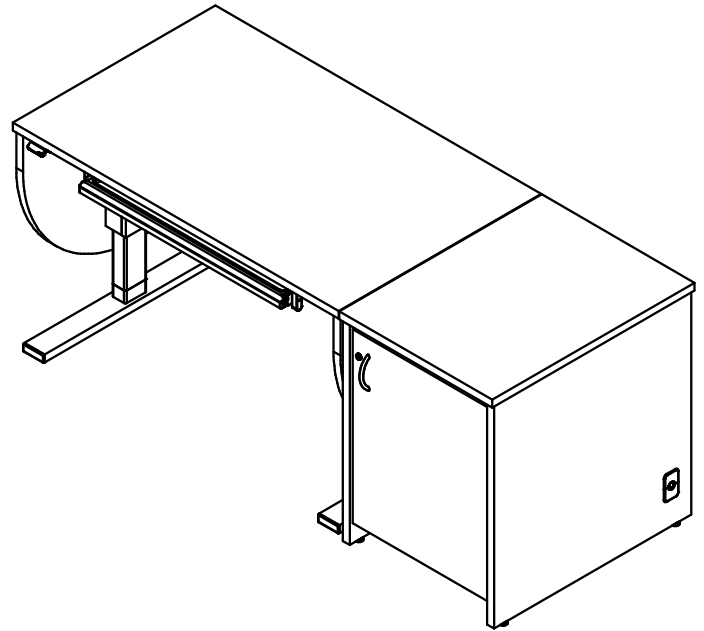


RIGHT SIDE
(STANDING HEIGHT)

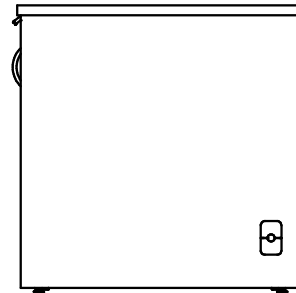
SIT-STAND PODIUMS W/ AV RACK RAIL CABINETS (RIGHT)



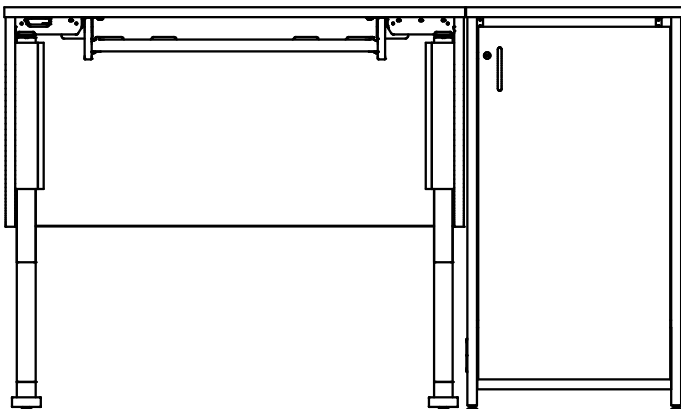
TOP



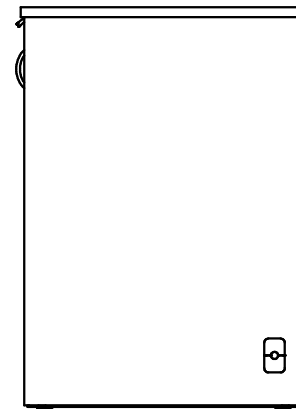
FRONT
(SEATED HEIGHT)



RIGHT SIDE
(SEATED HEIGHT)



FRONT
(STANDING HEIGHT)



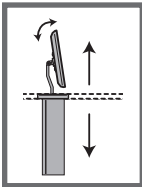
RIGHT SIDE
(STANDING HEIGHT)



ASSEMBLY REQUIRED

Visual Display Options

Adding a Downview™ or Trolley™ Visual Display Option may affect CPU storage width or available RUs



The Trolley™

- Ships installed in assembled units only.
- Maximum distance from center of wall mount VESA plate to bottom of monitor is 6 3/4" (171mm)

The Trolley™ E

Maximum Dimensions for Widescreen:
2 1/2" D x 18 7/8" W x 14 1/2" H
up to 20" widescreen

- Patented Access door automatically opens and closes with the push of a button
- Low voltage electrical motor to lift & lower monitor
- Intelligent Motion Technology™ provides operational intuition

The Trolley™ EXL

Maximum Dimensions for Widescreen:
2 1/2" D x 22 7/8" W x 14 1/2" H
up to 24" widescreen
36" min. worksurface width

Model	Wt(lbs)	Description
-------	---------	-------------

With NOVA Keyboard Drawer

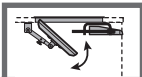
NOVA Keyboard Drawer installed in assembled units only.

International Customers: The Trolley™ includes Universal Power Control Units, compatible with all power requirements inside and outside the U.S.

TE0724NK	48	Trolley™ E & NOVA Keyboard Drawer
----------	----	-----------------------------------

TE0728NK	48	Trolley™ EXL & NOVA Keyboard Drawer
----------	----	-------------------------------------

Available with  **NOVA Linked™**



Downview™

- Ships installed in assembled units only.

16" D x 21" W viewport (Widescreen)

Maximum Dimensions for Widescreen: 20 1/8" W x 12 1/2" H
up to 21" widescreen

24" min. worksurface depth

18" D x 21" W viewport (Widescreen)

Maximum Dimensions for Widescreen: 20 1/8" W x 14 1/2" H
up to 21" widescreen

26" min. worksurface depth

21" D x 24" W viewport (Widescreen)

Maximum Dimensions for Widescreen: 23 1/8" W x 19" H
up to 24" widescreen

30" min. worksurface depth

36" min. worksurface width

- Tinted, tempered glass viewport
- Keeps monitor under glass below worksurface
- Ergonomic viewing angle

Model	Wt(lbs)	Description
-------	---------	-------------

With NOVA Keyboard Drawer

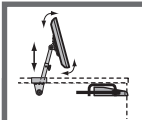
Downview™ & NOVA Keyboard Drawer installed in assembled units only.

Optional Privacy/Glare visor sold separately.

FPA1621NK	35	16" D x 21" W Downview™ & NOVA Keyboard Drawer
-----------	----	--

FPA1821NK	35	18" D x 21" W Downview™ & NOVA Keyboard Drawer
-----------	----	--

FPA2124NK	39	21" D x 24" W Downview™ & NOVA Keyboard Drawer
-----------	----	--



Surface Mount Arm

- Installation required

Surface Mount Arm

Maximum Weight: 21 lbs
Maximum Dimensions: Up to 24" widescreen

- Securely fastens monitor to worksurface
- Height and tilt adjustable

Articulating Surface Mount Arm

Maximum Weight: 33 lbs
Maximum Dimensions: Up to 35" widescreen

Model	Wt(lbs)	Description
-------	---------	-------------

With NOVA Keyboard Drawer

NOVA Keyboard Drawer installed in assembled units only.

SMA0203NK	13	SMA & NOVA Keyboard Drawer
-----------	----	----------------------------

ASMA0203NK	22	Articulating SMA & NOVA Keyboard Drawer
------------	----	---

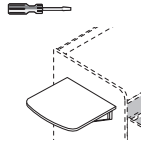


ASSEMBLY REQUIRED

Options & Accessories

Options for Lecterns

Flip-up Shelf



D x W x H (in.) **ft³ / lbs** **Model** **List Price**
Field installed on all but Sit-Stand Lecterns. Shipped Separately. Color matches worksurface of lectern ordered. Located 3" down from worksurface. For factory prep, must specify "U" on lectern model number for left-handed, or "V" on lectern model number for right-handed placement, or "B" on lectern model number for both left and right hand placement.

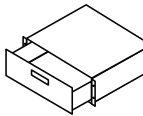
For 21" D or 24" D Lectern:

Attaches to the LEFT side panel of Lectern			
20 x 20 x 1	0.9 / 24	66-SH202001L	
Attaches to the RIGHT side panel of Lectern			
20 x 20 x 1	0.9 / 24	66-SH202001R	

For 26" D, 30" D or 36" D Lectern:

Attaches to the LEFT side panel of Lecterns			
22 x 20 x 1	1.0 / 24	66-SH222001L	
Attaches to the RIGHT side panel of Lecterns			
22 x 20 x 1	1.0 / 24	66-SH222001R	

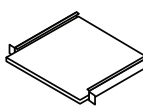
2 Space Rack Drawer



Attaches to rack rails. Takes up 2 RU space. 50 lb. weight capacity.

20 x 15 x 3 1/2	10.4 / 20	66-2DRAWER	
-----------------	-----------	------------	--

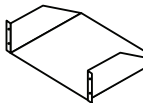
Sliding Shelf



Attaches to rack rails. 35 lb. weight capacity.

20 x 15 x 1	10.4 / 15	66-SSHELF	
-------------	-----------	-----------	--

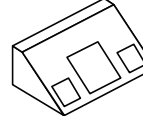
2 Space Rack Shelf



Attaches to rack rails. Takes up 2 RU space. 50 lb. weight capacity.

20 x 15 x 3 1/2	10.4 / 15	66-2SHELF	
-----------------	-----------	-----------	--

Removable Console



Black laminate box (Customer to provide cutouts needed)

11 x 15 x 6	2.0 / 20	66-CONSOLE01	
-------------	----------	--------------	--

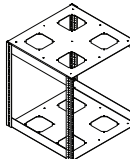
Ventilation Fan



115V fan rated at 57 CFM. 30 dBA. Add (-VF) on lectern model number to be factory installed. Must also specify cutout location on lectern.

1 x 6 x 6	2.0 / 3	66-FAN	
-----------	---------	--------	--

Rack Cube



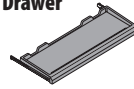
All metal construction providing front and rear Rack Rails allowing rack storage mounting prior to installation in rack storage compartment. Standard Black metal. Available with 6 RU - 14 RU; height varies by RU count. **Complete Model number replacing blank "___" with desired RU** (Ex: 66-RRCUBE10 - 10 RU Rack Cube). **NOTE:** If ordering with a lectern, specify "-RR" at end of lectern model number. (Ex: 66-LP303047LM-RR)

19 1/8 x 19 1/2 x Varies		66-RRCUBE_	
--------------------------	--	------------	--

Factory Installed Accessories

Must specify location of grommet / power center at time of order

Factory Installed NOVA Keyboard Drawer



Dimensions (in.)	Model
Keyboard length to fit desk ordered. Only ordered when NO Visual Display Option is chosen	
	NK

Rectangular Wire Grommet



Rectangular black plastic grommet cover is removable for easy wire management

1 3/8" D x 3 1/4" W	WG1080
---------------------	--------

Star Cut Wire Grommet



Round black plastic grommet with rubber star cut opening allows more cords and cables to pass through

2 3/4" Diameter	RWGSC
-----------------	-------

Pop-up Power Center



Two grounded outlets. Fluid one touch accessibility. 6ft, 15 Amp cord. UL listed.

3 3/4" D x 5" W	11225PP
-----------------	---------

Pop-up Power / Data Center



One grounded outlet. One opening for voice/data jack. Voice/Data Adapter Kit (included) provides adapters for couplers & jacks from a variety of manufacturers. Fluid one touch accessibility. 6ft, 15 Amp cord. UL listed.

3 3/4" D x 5" W	11225PD
-----------------	---------

Pop-up Power / USB Charging Center



One grounded outlet. One USB charging duplex. Fluid one touch accessibility. 6ft, 15 Amp cord. UL Listed.

3 3/4" D x 5" W	11225PC
-----------------	---------

Round Flush Power Center



Two grounded outlets. Clean, flush mount. 6ft, 15 Amp cord. UL listed.

4" Diameter	3359PP
-------------	--------

Round Flush Power / USB Charging Center



One grounded outlet. One USB charging duplex. Clean, flush mount. 6ft, 15 Amp cord. UL Listed.

4" Diameter	3359PC
-------------	--------

Round Power Center



One grounded outlet. Features spill-proof technology. 6ft, 15 Amp cord. UL Listed.

2" Diameter	3825P
-------------	-------