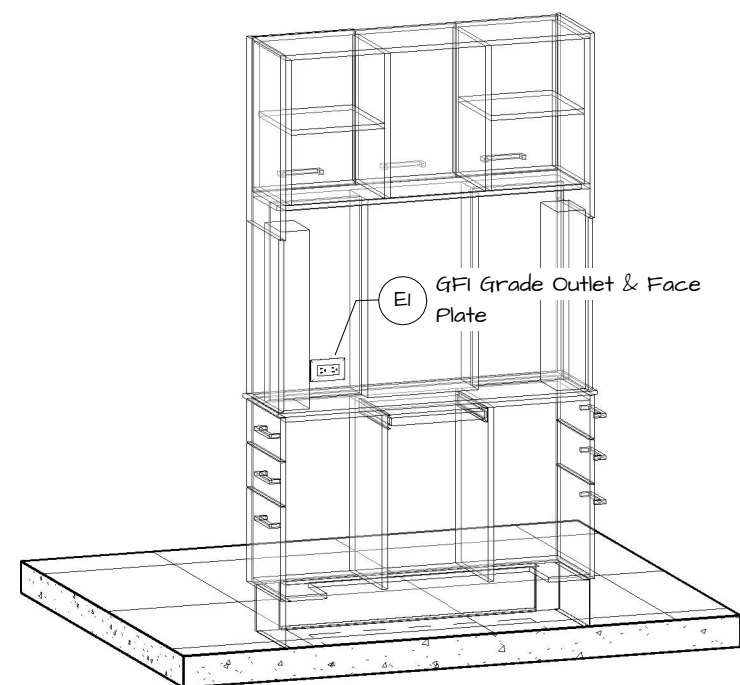
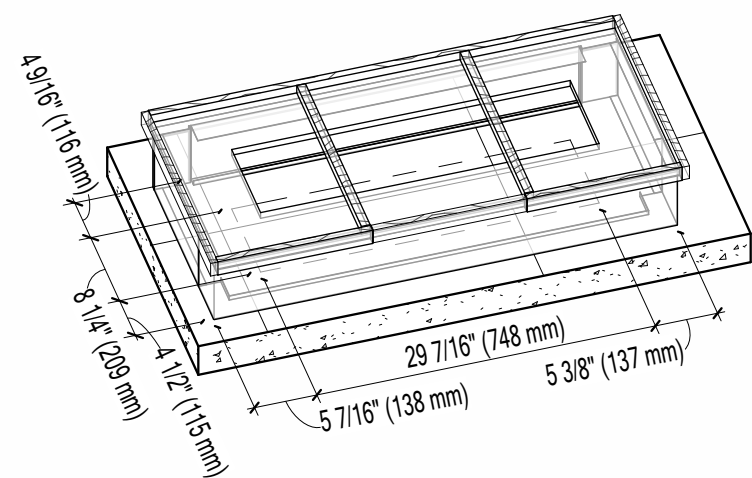


Electrical Utilities		
Mark	Description	Qty
EI	GFI Grade Outlet & Face Plate	1

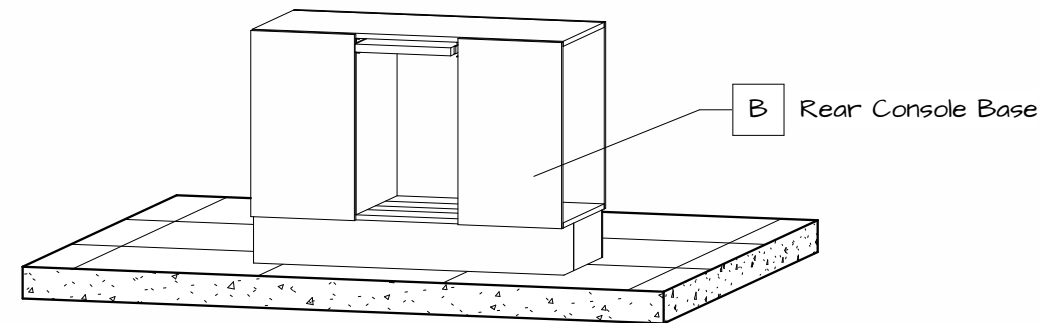


1 Utilities Location



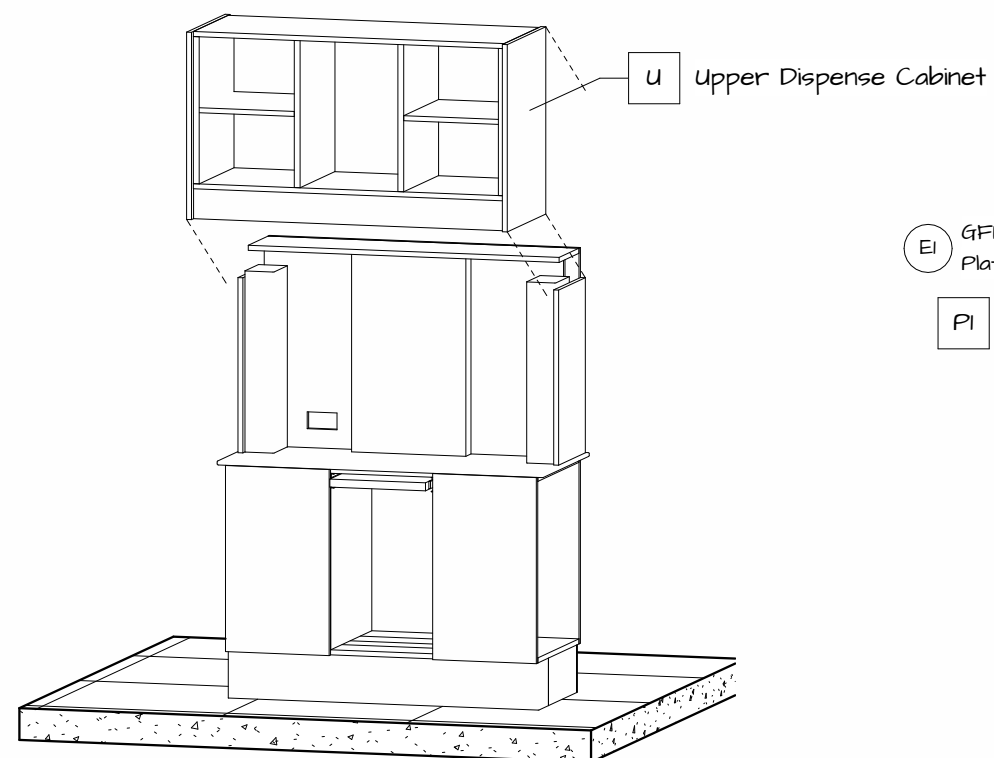
2 Utilities Access

1. REMOVE ALL DRAWERS & HARDWARE PACKS
2. USE ANCHOR BOLTS TO INSTALL BASE CABINETS



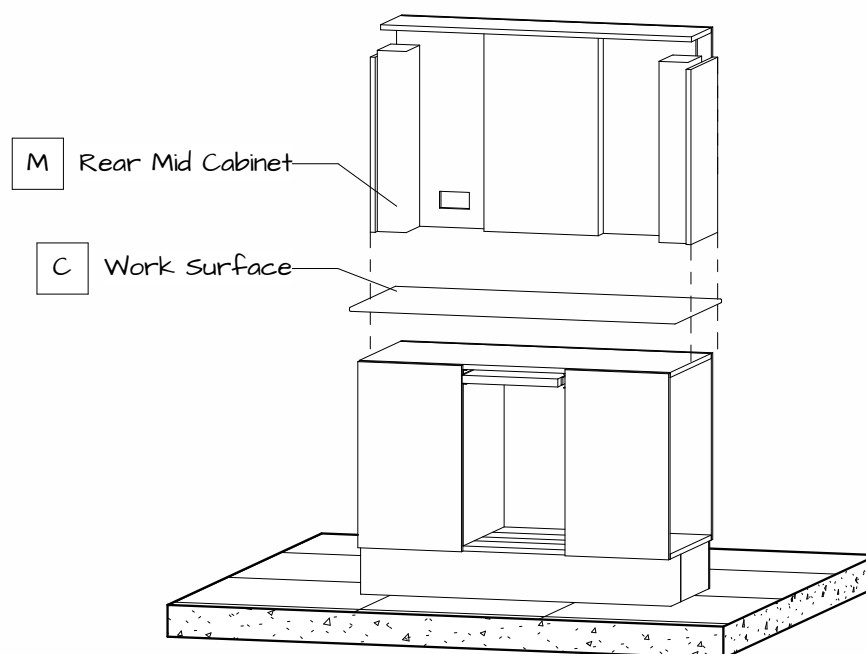
2.1 Install Base Cabinets

1. BOLT UPPER CABINETS TO MID SECTION WITH 1/4-20 SHORT BOLTS



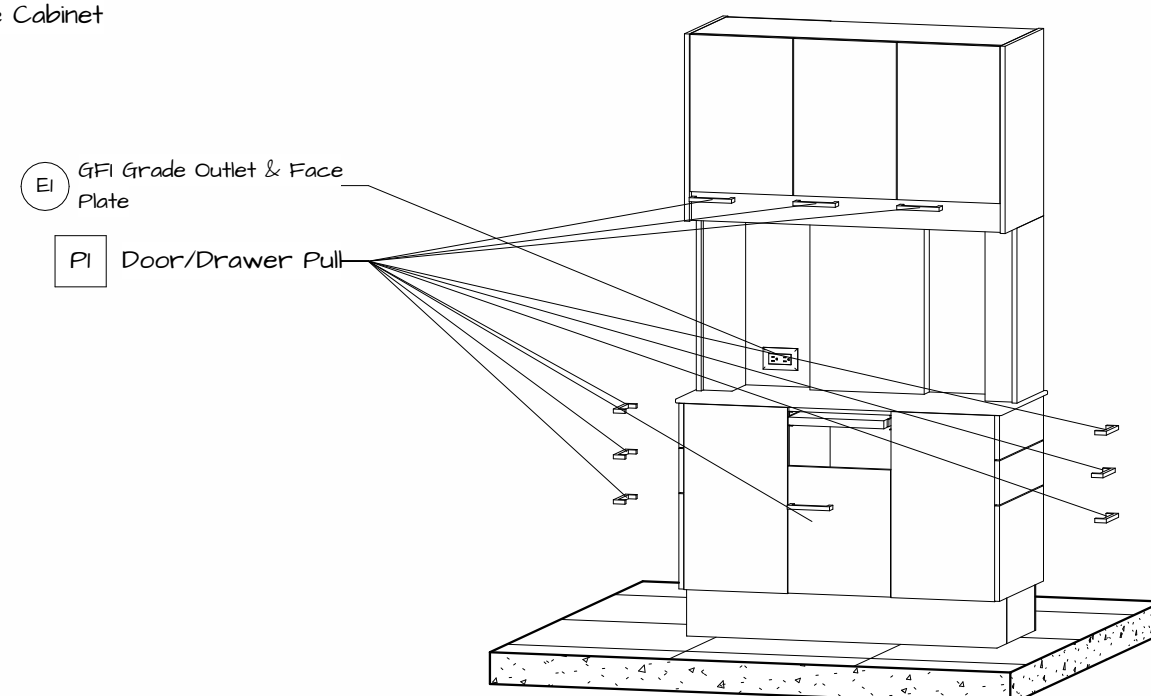
2.3 Install Upper Cabinets

1. BOLT MID SECTION & WORK SURFACE TO BASE WITH 1/4-20 LONG BOLTS



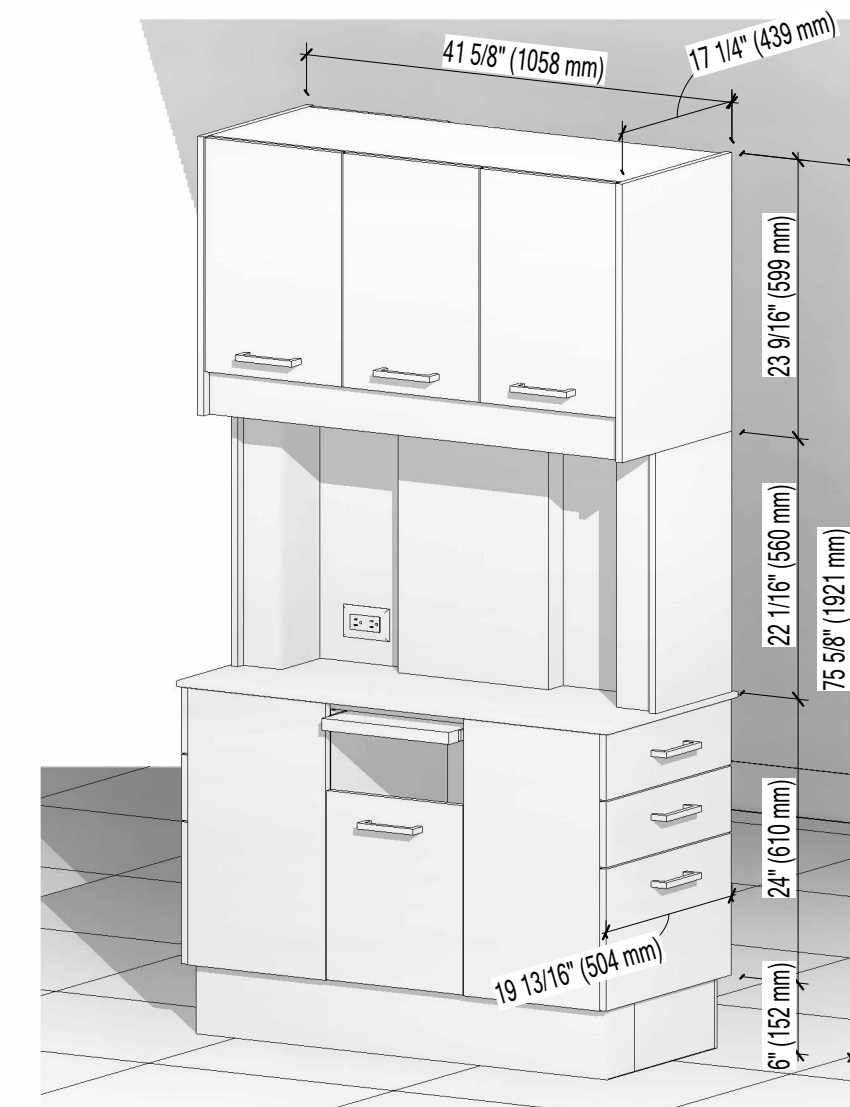
2.2 Install Mid Section

1. REINSTALL DOORS/DRAWERS
2. INSTALL HARDWARE & CONNECT UTILITIES & 12V POWER SUPPLY TO TASK LIGHT



2.4 Install Hardware

Packing List			
Mark	Model	Description	Qty
		1/4"-20 Long Bolts	4
		1/4"-20 Short Bolts	6
		12v Power Supply	1
		Anchor Bolts	4
		Strainer	1
B	B13	Rear Console Base	1
C		Work Surface	1
EI		GFI Grade Outlet & Face Plate	1
M	H11	Rear Mid Cabinet	1
PI		Door/Drawer Pull	13
U	U21/U2.4	Upper Dispense Cabinet	1



3 Final Installation View



Installation Drawing		Prepared For: NOVA Solutions Inc.
LINEA		
Project	REAR TREATMENT CENTER	
Item #	ALRTC B13-H11-U11	
Drawn by: Justin Martin	Date 1	Rev. 1