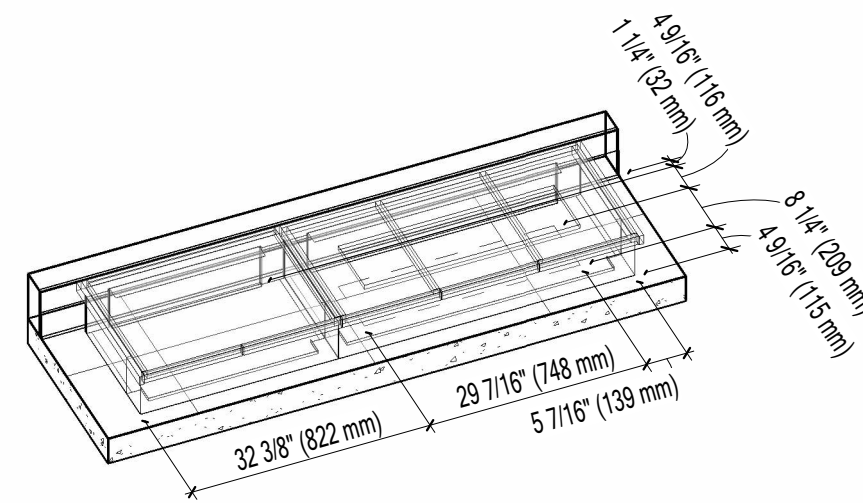


1 Utilities Location

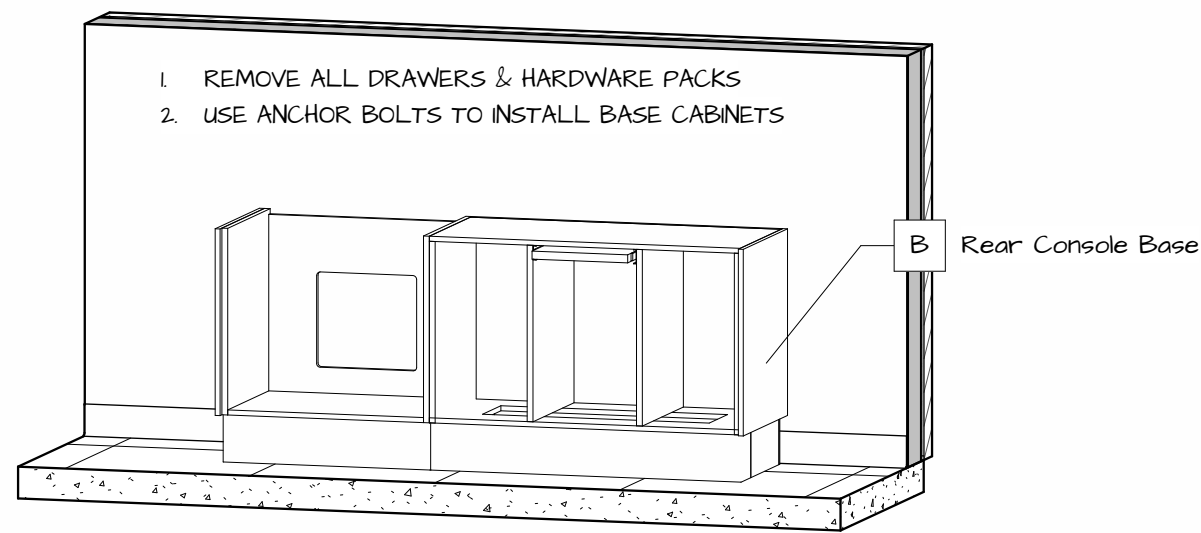
Backers	
Description	Length
2x6 Backer	5' - 8 19/32"
2x6 Backer	5' - 8 19/32"
	11 - 5 5/32"

Plumbing Utilities		
Mark	Description	Qty
H	Hot Water Supply	1
C	Cold Water Supply	1
D	Sanitary DWV	1

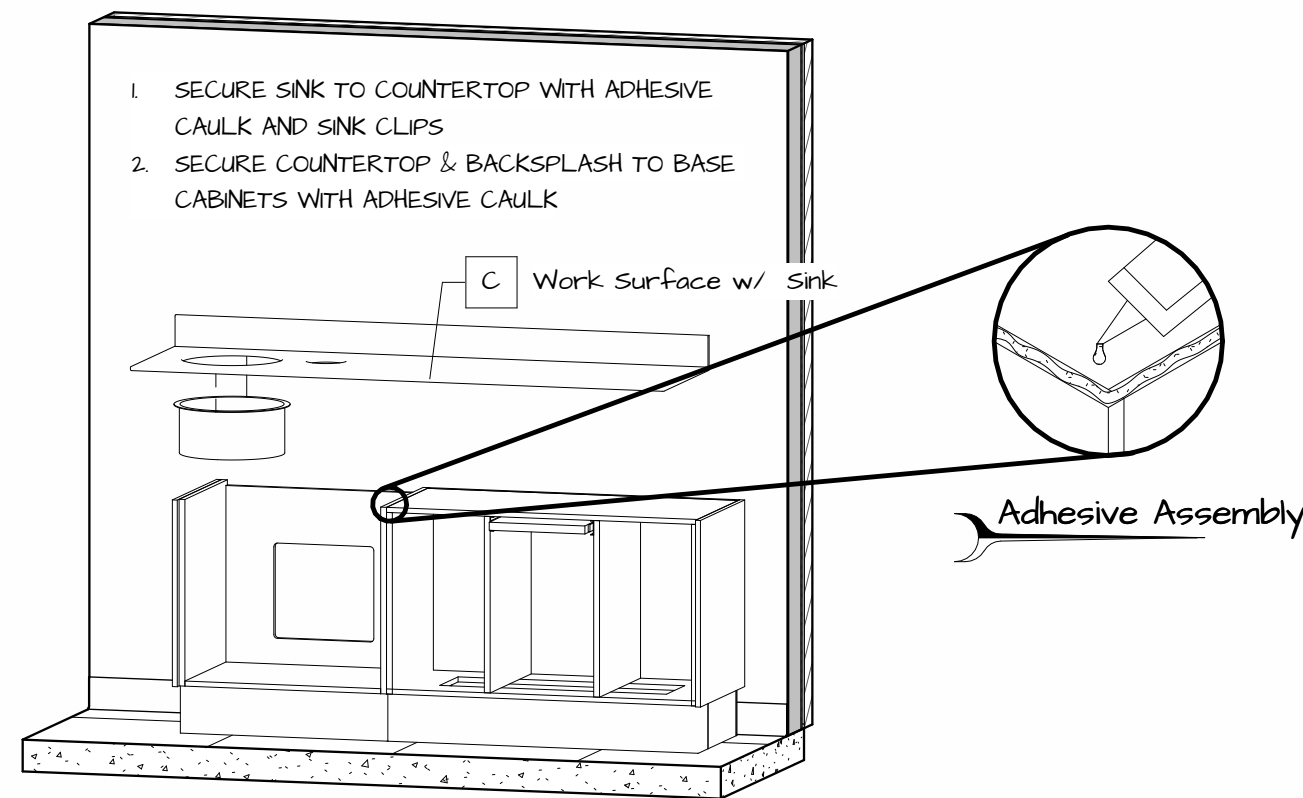


2 Utilities Access

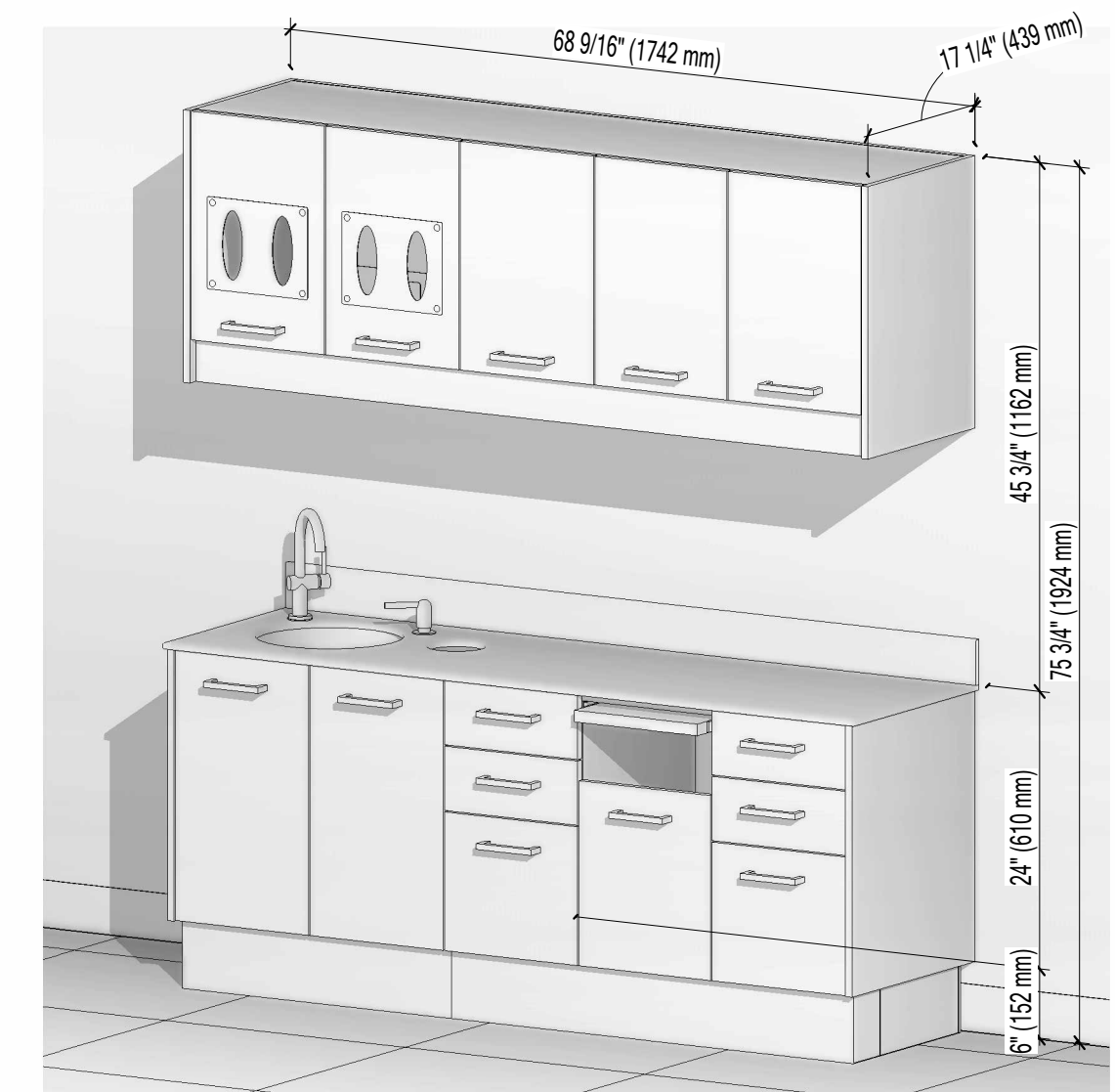
Packing List		
Mark	Description	Qty
	#12 3" Wood Screws	8
	Anchor Bolts	8
	Sink	1
	Strainer	1
	Tube of Caulk	1
B	Rear Console Base	1
C	Work Surface w/ Sink	1
F	Faucet	1
PI	Door/Drawer Pull	14
S	Soap Dispenser	1
U	Upper Dispense Cabinet	1



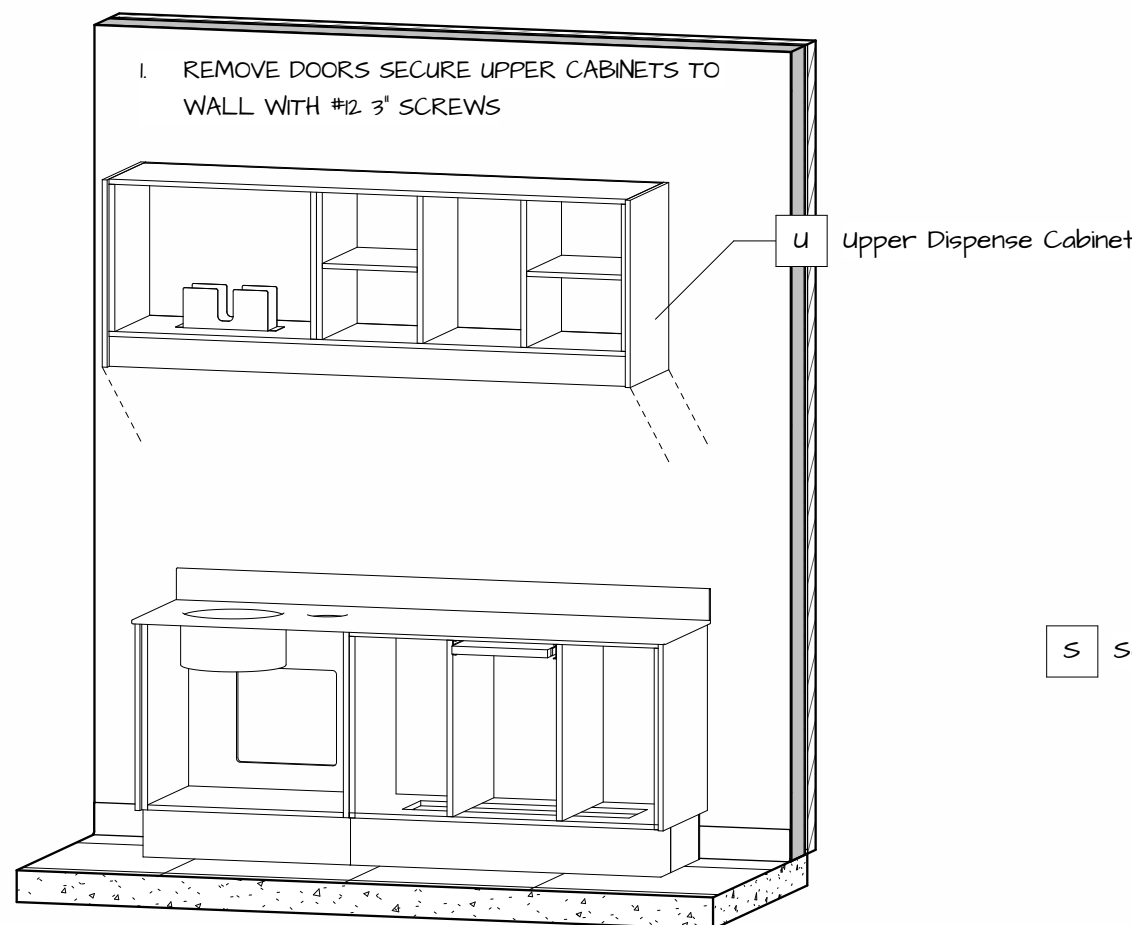
2.1 Install Base Cabinets



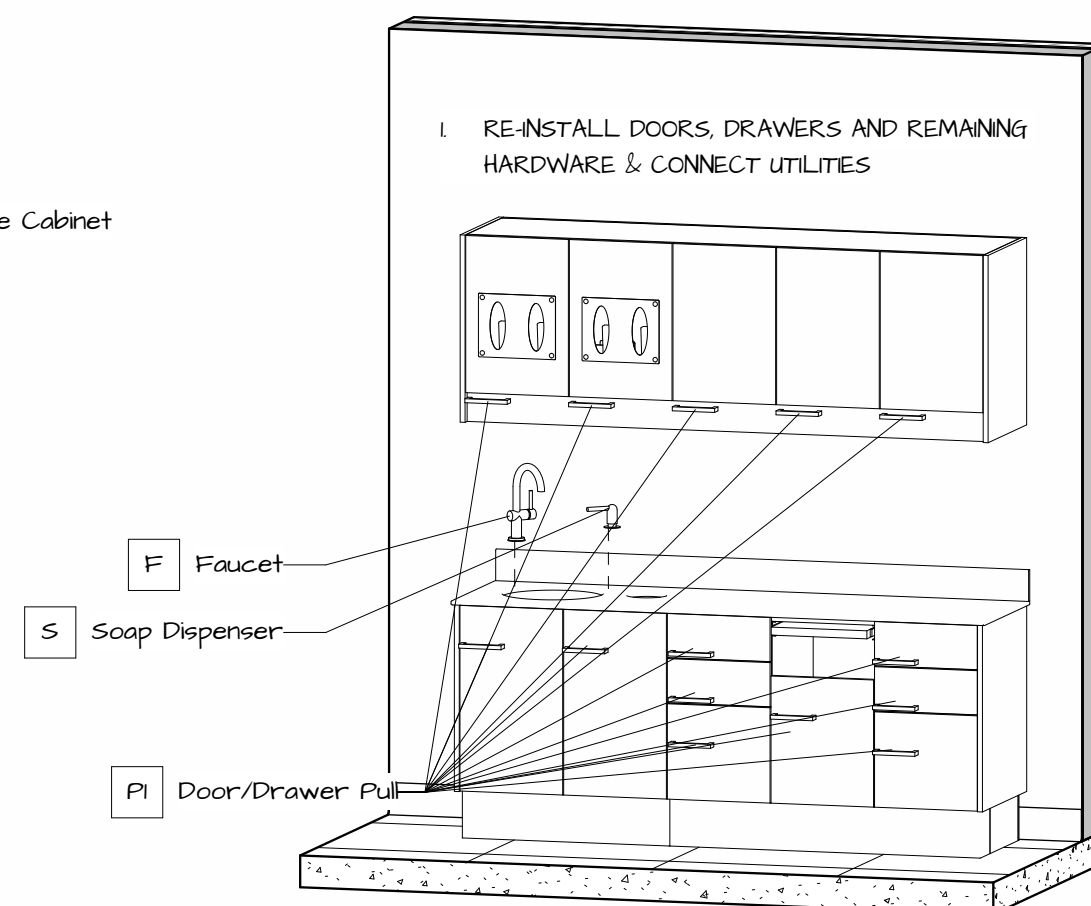
2.2 Install CounterTop



3 Final Installation View



2.3 Install Upper Cabinets



2.4 Install Hardware

**anthos**  
NOVA Solutions Inc.  
217-342-7070  
sales@novasolutionsinc.com

Installation Drawing		Prepared For: NOVA Solutions Inc.
<b>LINEA</b>		<b>I-1</b> Rev. 1
Project	REAR TREATMENT CENTER	
Item #	ALRTC B25-H00-U24	
Drawn by:	Justin Martin 09/21/24	