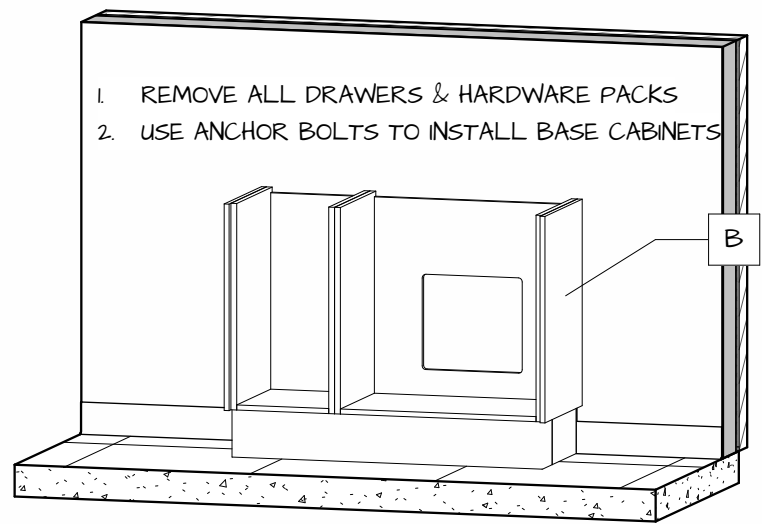
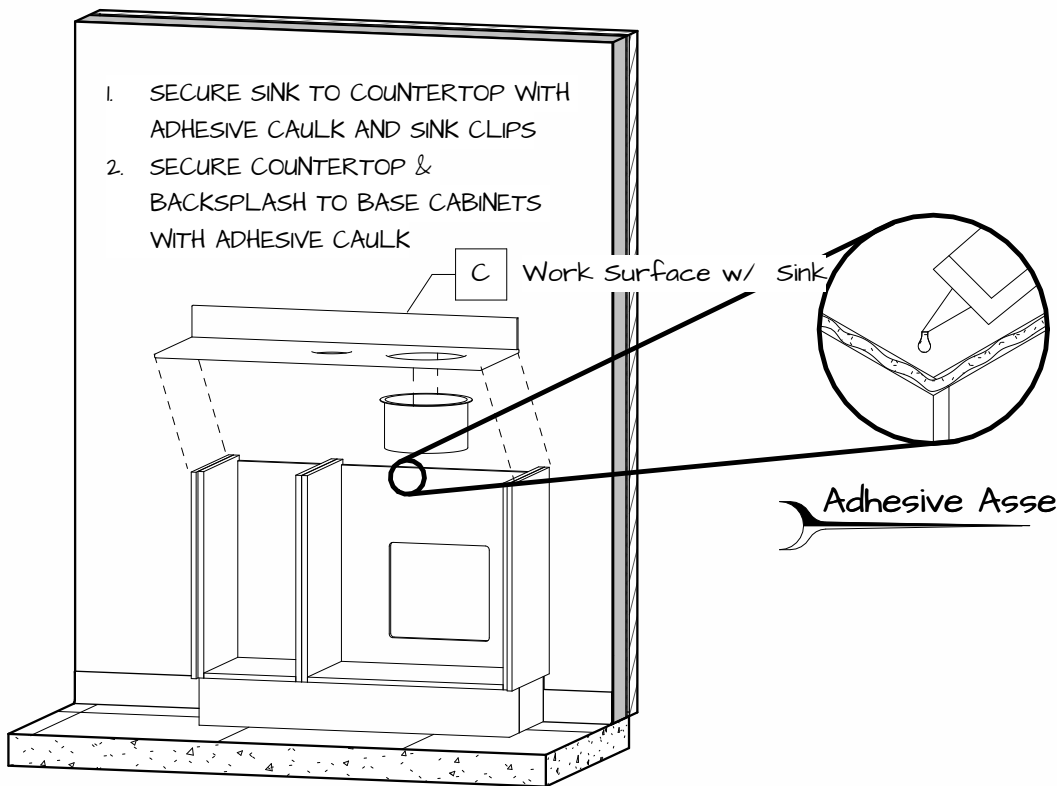


Plumbing Utilities		
Mark	Description	Qty
H	Hot Water Supply	1
C	Cold Water Supply	1
D	Sanitary DWV	1

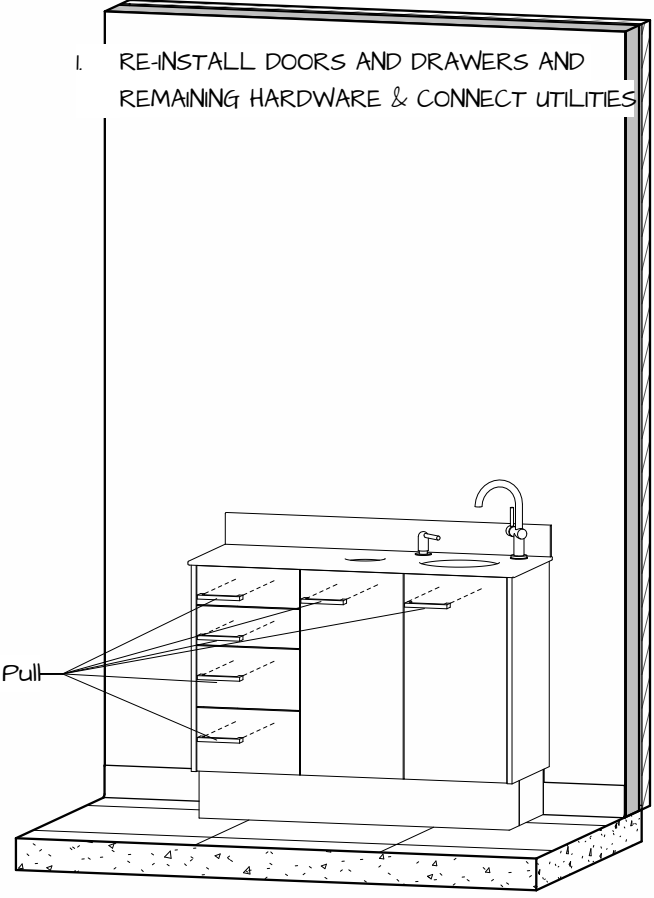
1 Utilities Location



2.1 Install Base Cabinets

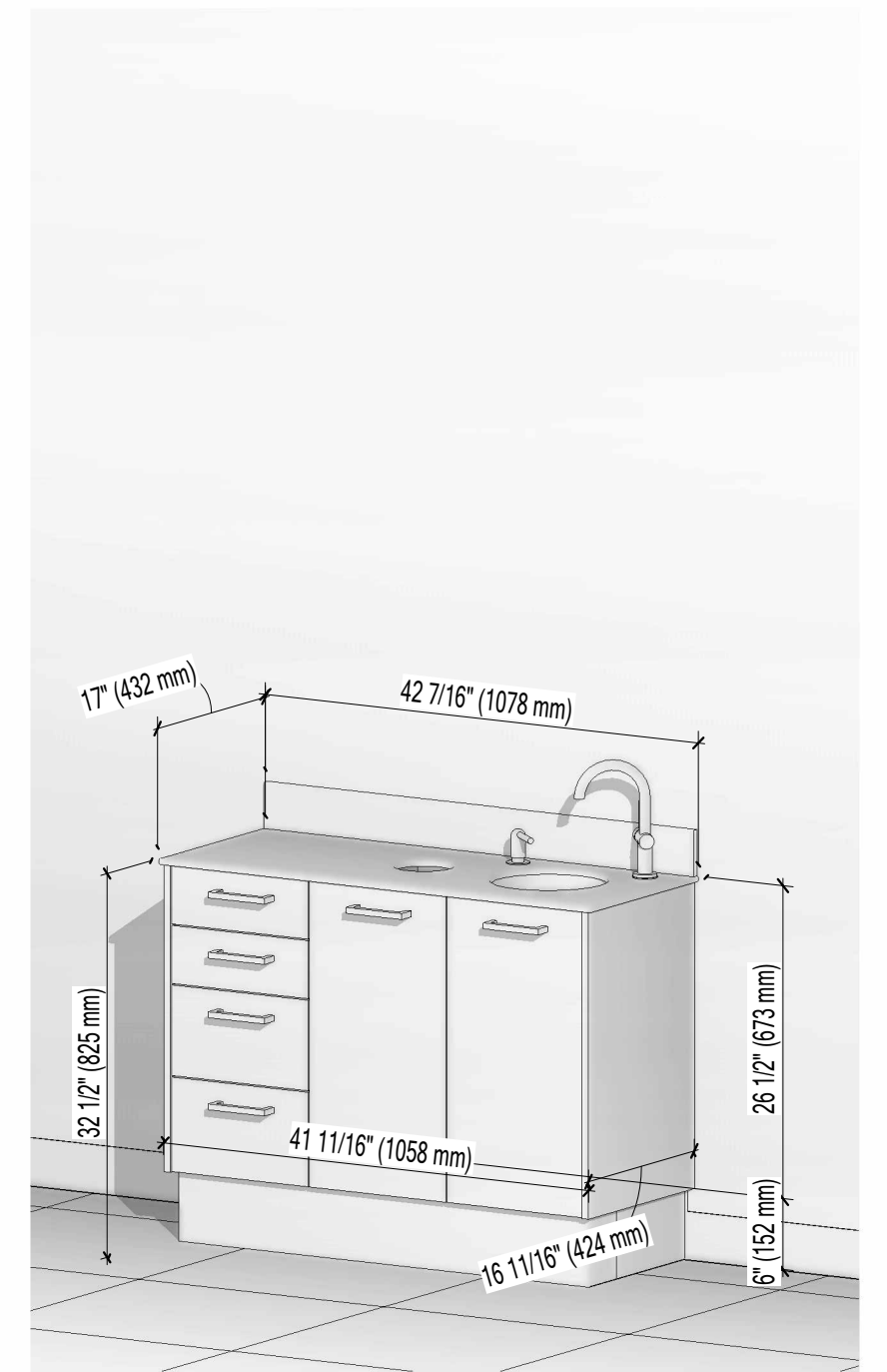


2.2 Install CounterTop



2.3 Install Hardware

Packing List		
Mark	Description	Qty
	Anchor Bolts	4
	Sink	1
	Strainer	1
	Tube of Caulk	1
B	Side Console Base	1
C	Work Surface w/ Sink	1
F	Faucet	1
PI	Door/Drawer Pull	6
S	Soap Dispenser	1



3 Final Installation View



Installation Drawing		Prepared For: NOVA Solutions Inc.
LINEA		
Project	SIDE TREATMENT CENTER	I-1
Item #	ALSTC 03B-000-U00	
Drawn by:	Justin Martin	09/05/24
		Rev. 1