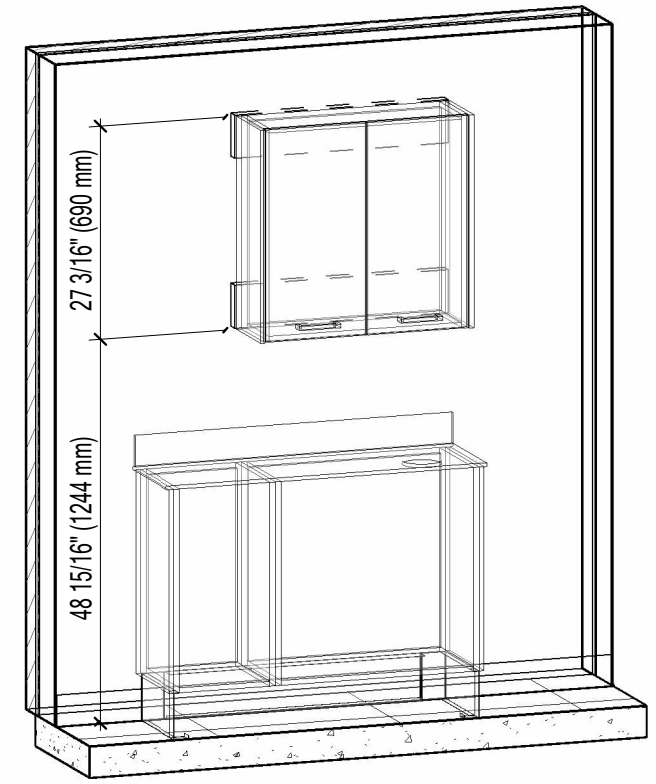
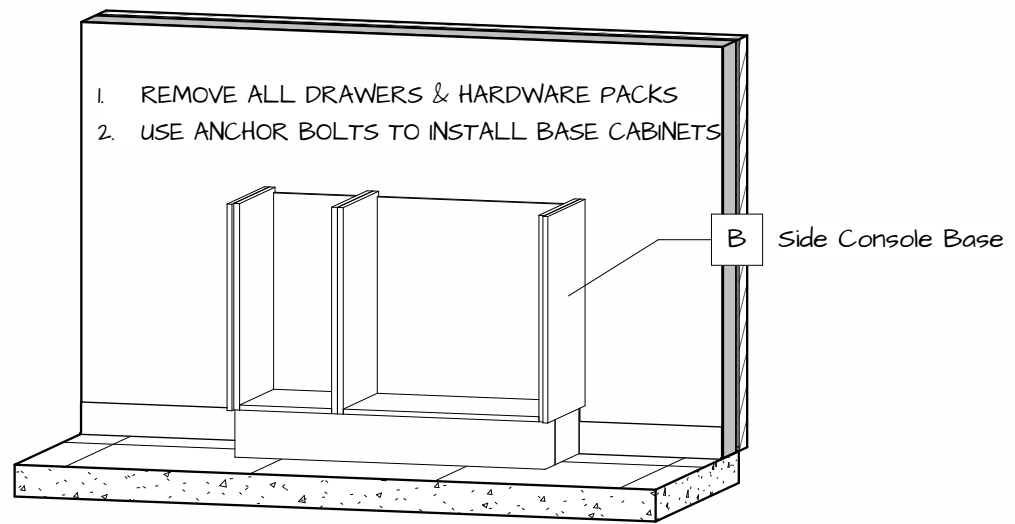


Backers	
Description	Length
2x6 Backer	2' - 4 7/32"
2x6 Backer	2' - 4 7/32"
	4' - 8 13/32"

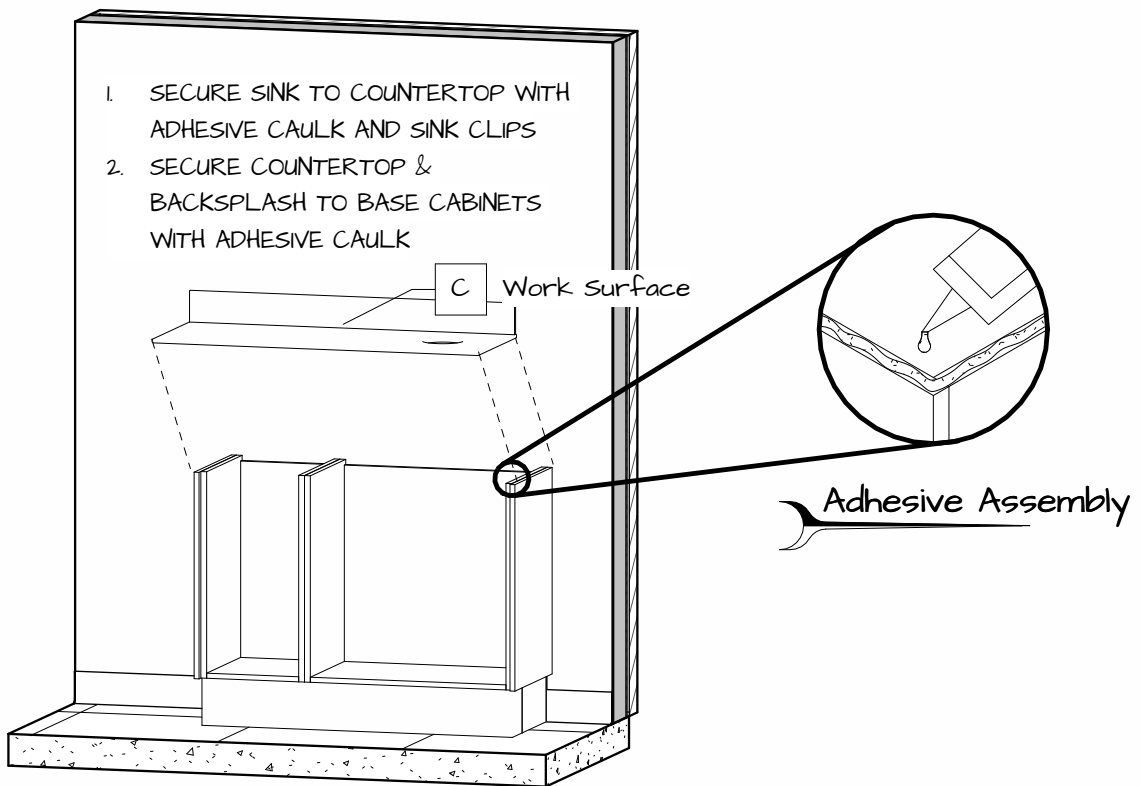
Plumbing Utilities		
Mark	Description	Qty



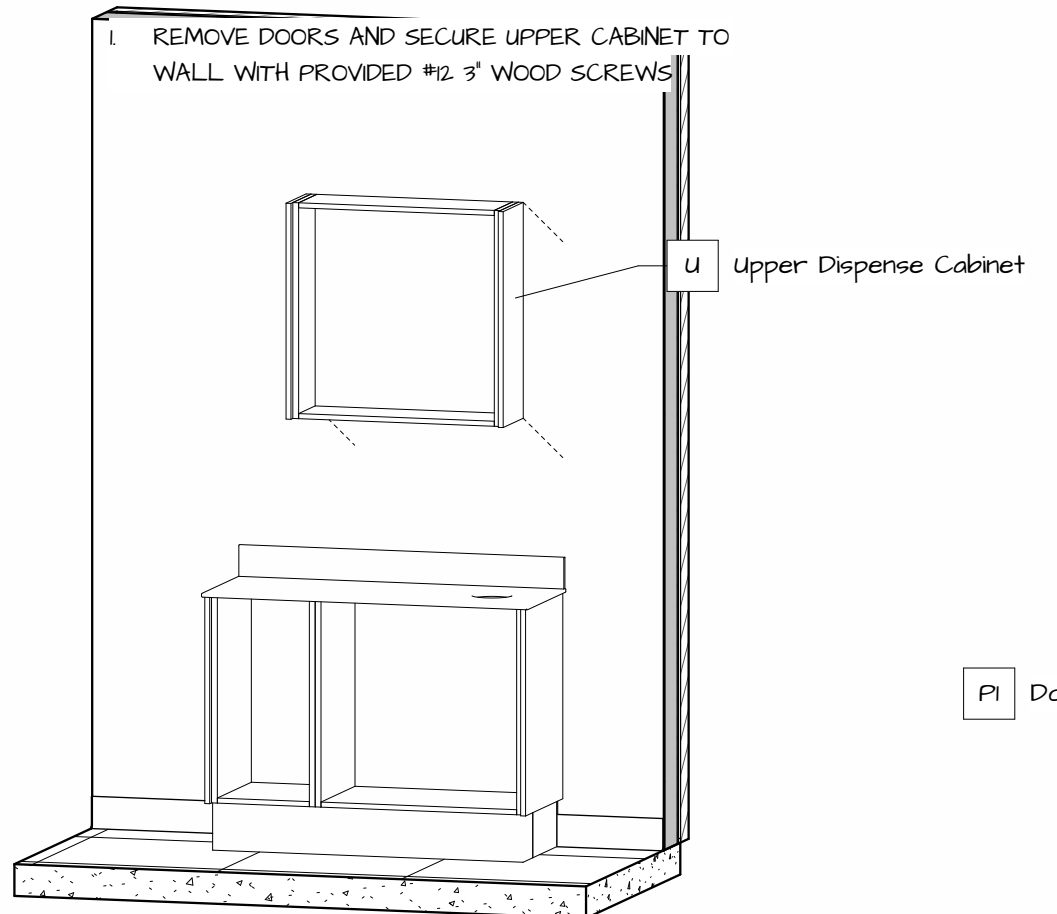
1 Utilities Location



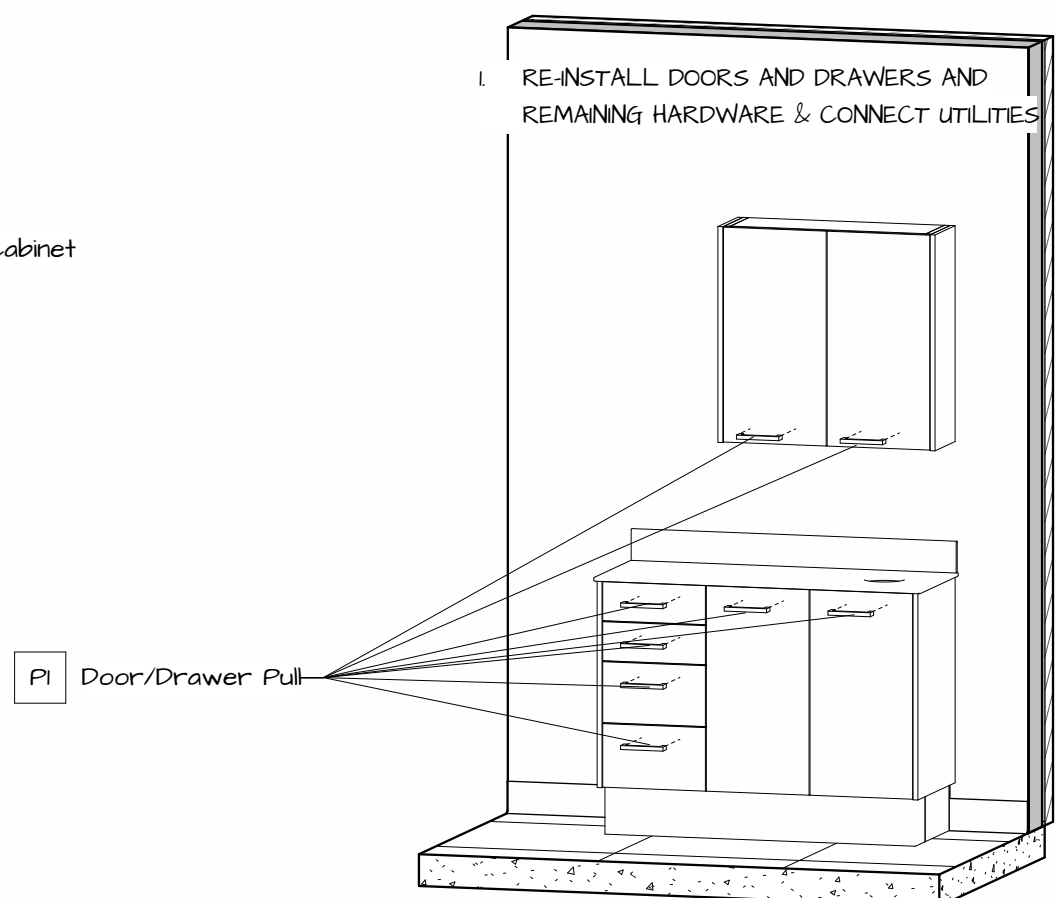
2.1 Install Base Cabinets



2.2 Install CounterTop

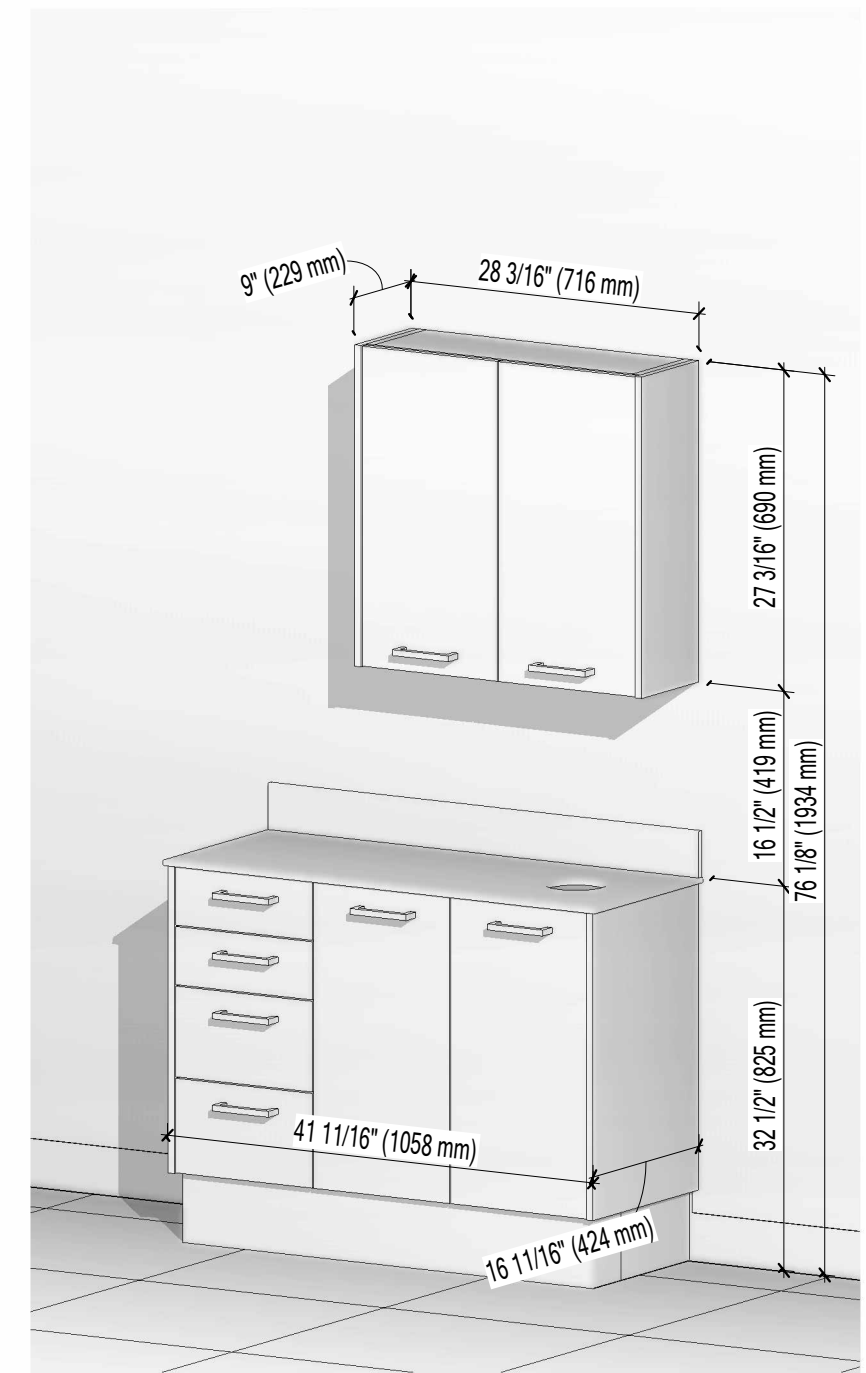


2.3 Install Upper Cabinets



2.4 Install Hardware

Packing List		
Mark	Description	Qty
	#12 3" Wood Screws	4
	Anchor Bolts	4
	Tube of Caulk	1
B	Side Console Base	1
C	Work Surface	1
P1	Door/Drawer Pull	8
U	Upper Dispense Cabinet	1



3 Final Installation View



Installation Drawing		Prepared For: NOVA Solutions Inc.
LINEA		
Project	SIDE TREATMENT CENTER	I-1
Item #	ALSTC 03D-000-U32	
Drawn by:	Justin Martin	09/09/24
		Rev. 1