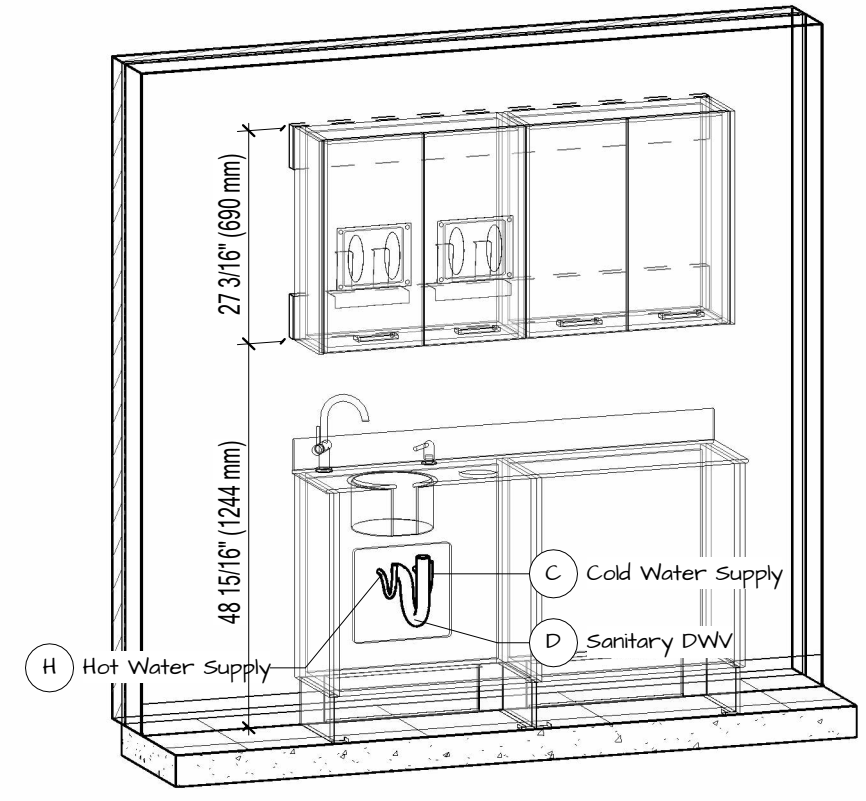
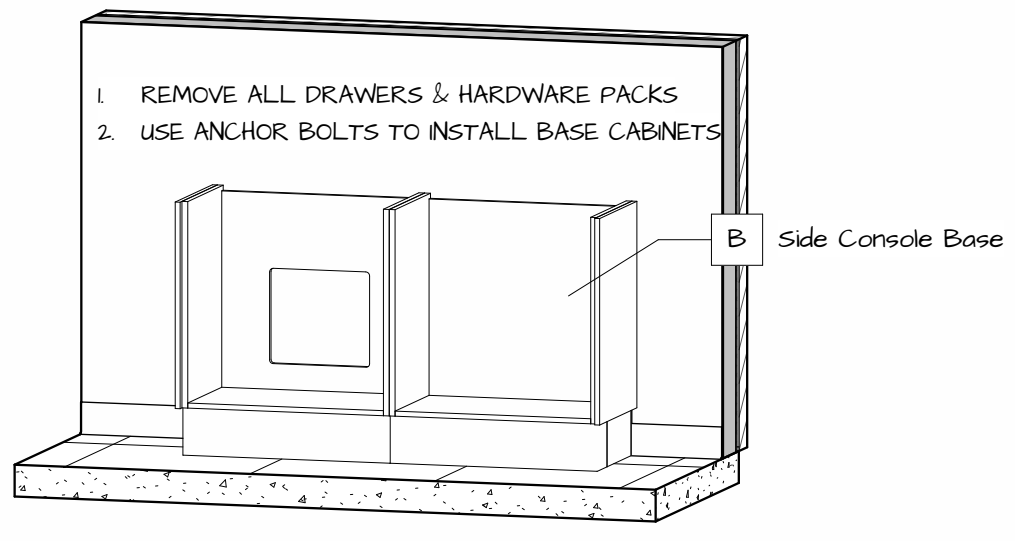


Backers	
Description	Length
2x6 Backer	4' - 7 1/8"
2x6 Backer	4' - 7 1/8"
9' - 2 9/32"	

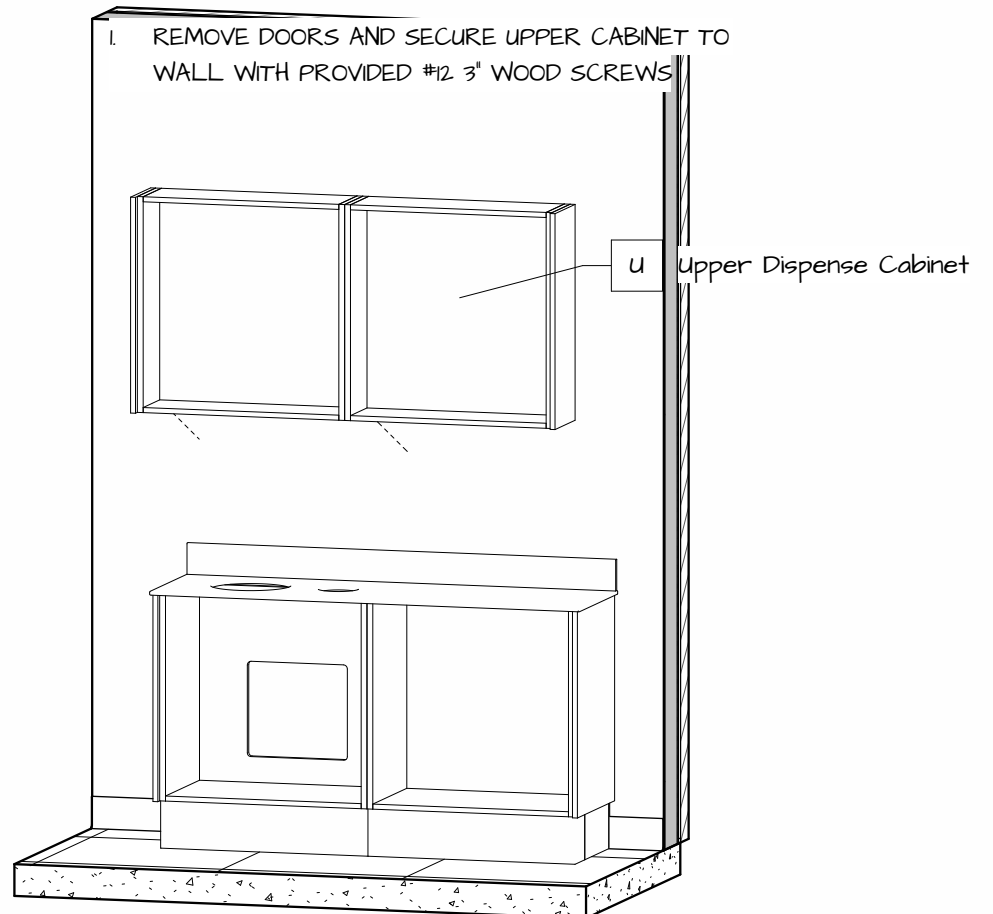
Plumbing Utilities		
Mark	Description	Qty
H	Hot Water Supply	1
C	Cold Water Supply	1
D	Sanitary DWV	1



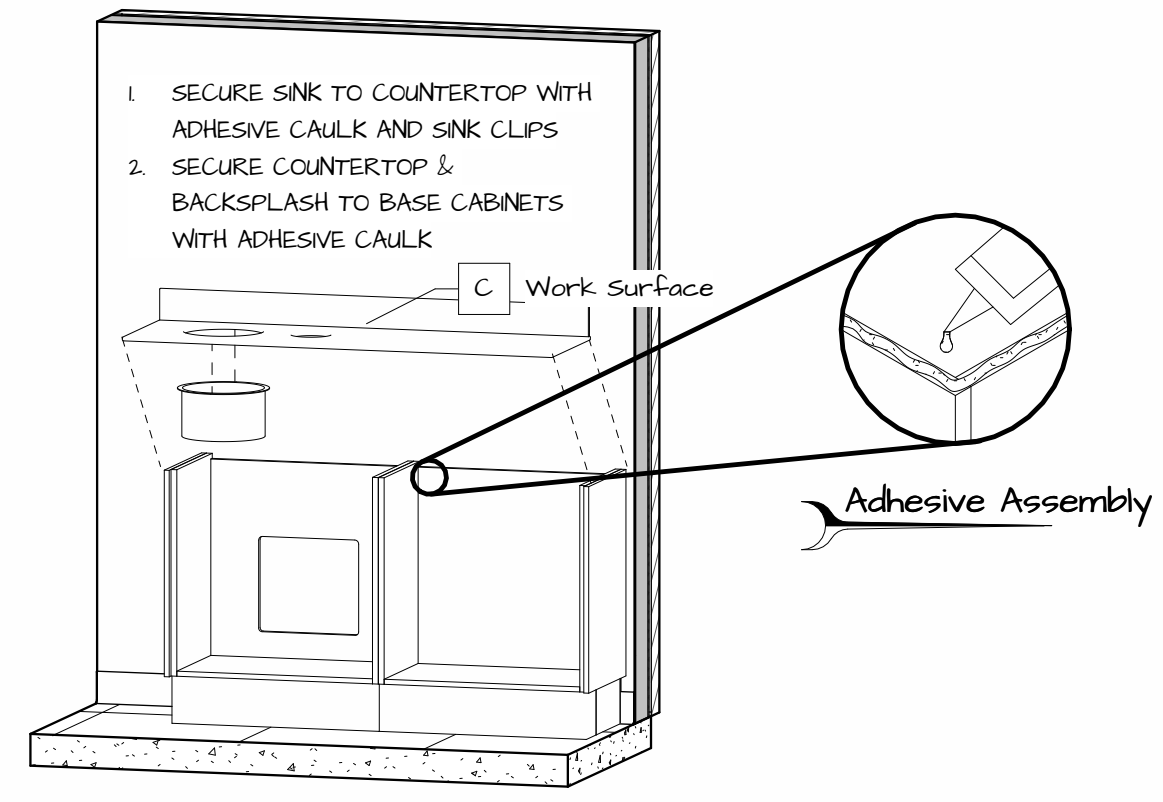
1 Utilities Location



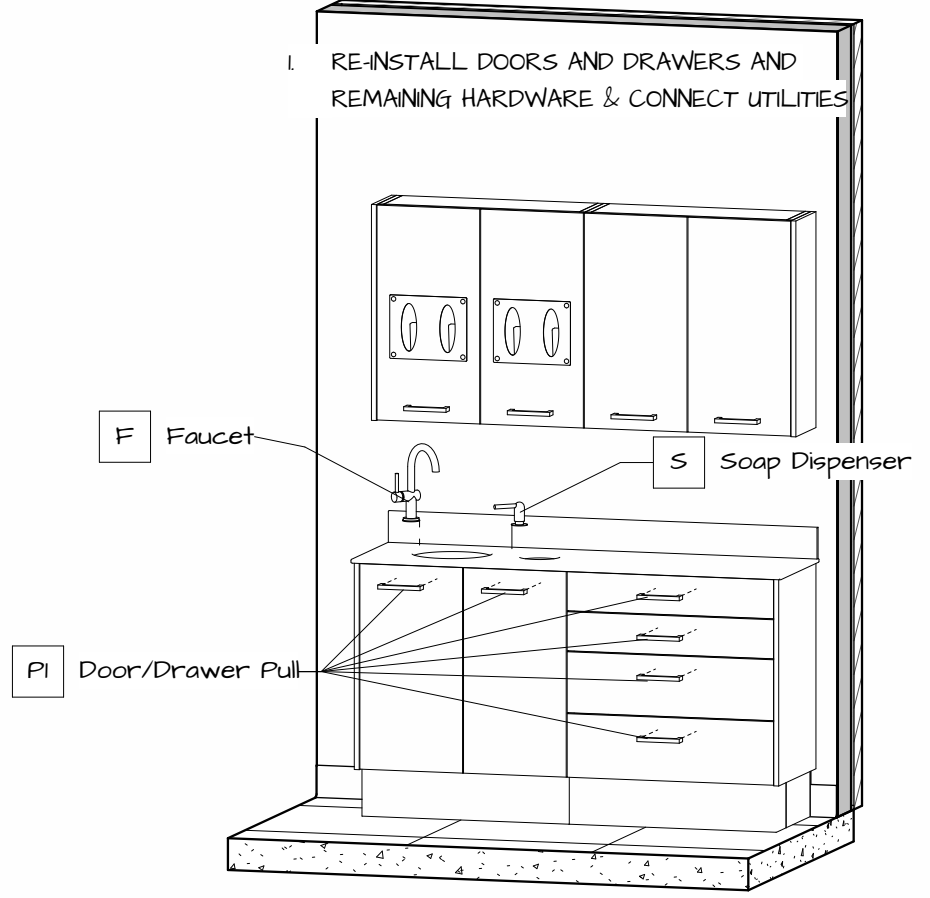
2.1 Install Base Cabinets



2.3 Install Upper Cabinets

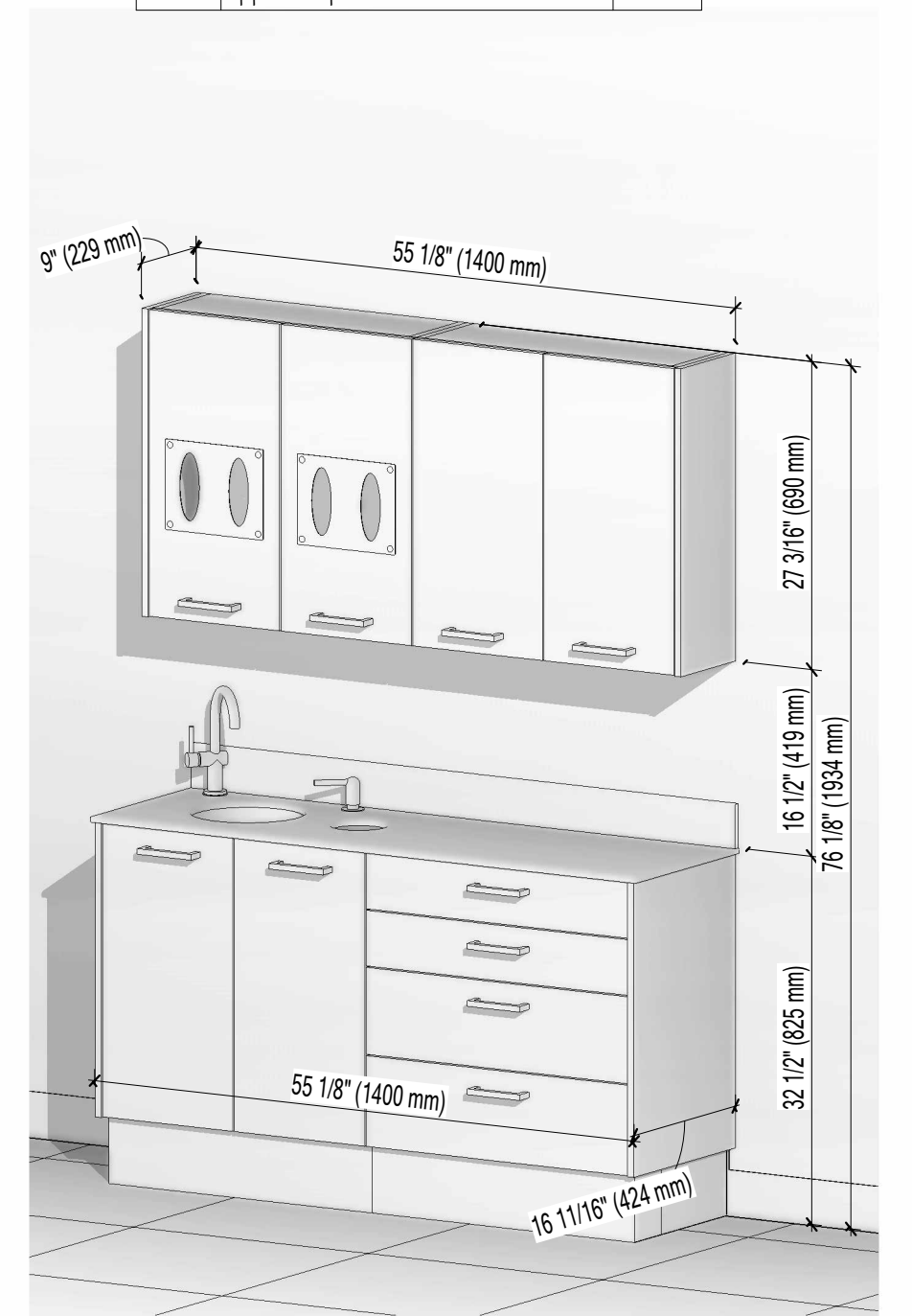


2.2 Install CounterTop



2.4 Install Hardware

Packing List		
Mark	Description	Qty
	#12 3" Wood Screws	6
	Anchor Bolts	8
	Sink	1
	Strainer	1
	Tube of Caulk	1
B	Side Console Base	1
C	Work Surface	1
F	Faucet	1
Pl	Door/Drawer Pull	10
S	Soap Dispenser	1
U	Upper Dispense Cabinet	1



3 Final Installation View



Installation Drawing		Prepared For: NOVA Solutions Inc.
LINEA		
Project	SIDE TREATMENT CENTER	I-1
Item #	ALSTC 03E-000-U33	
Drawn by:	Justin Martin	09/05/24
		Rev. 1