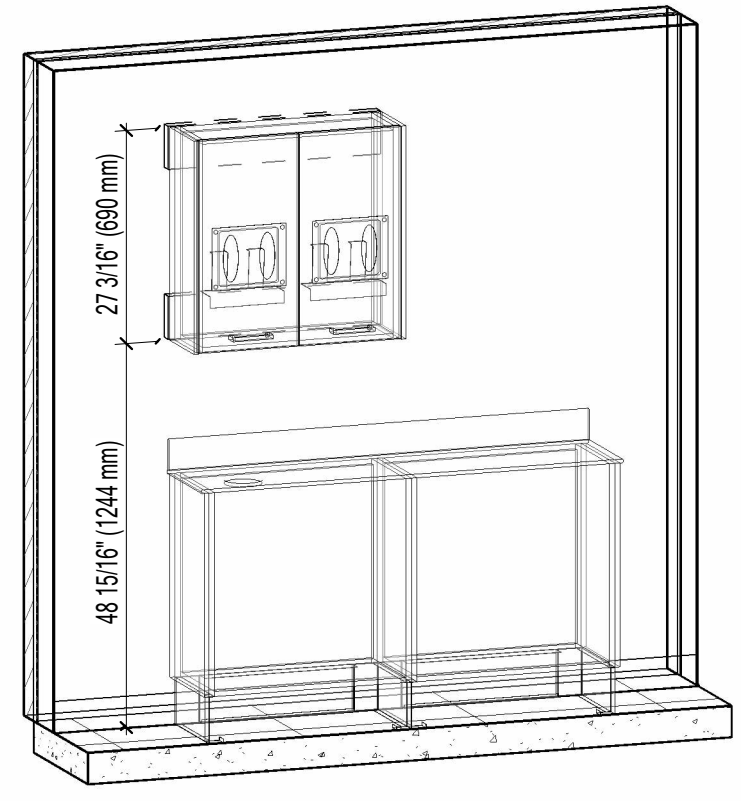
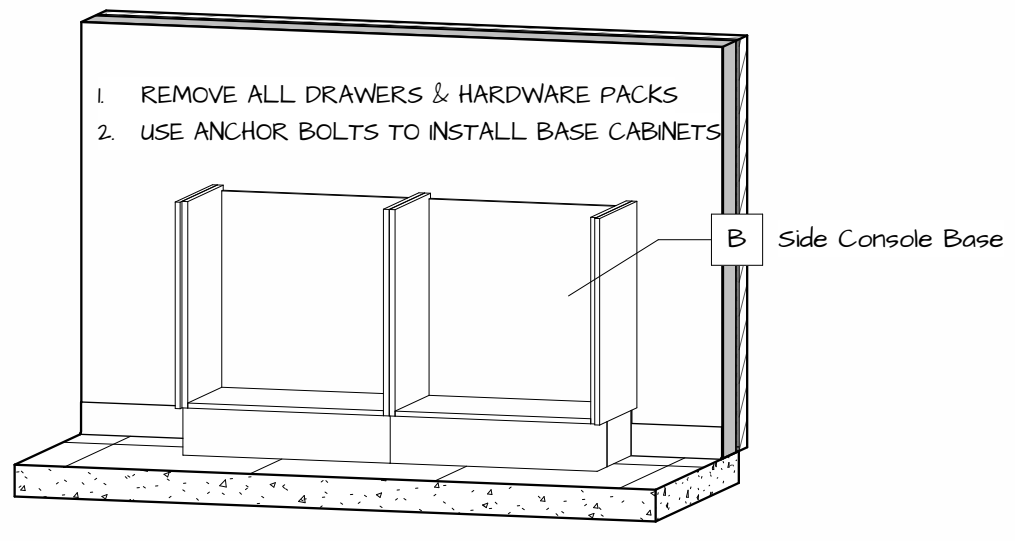


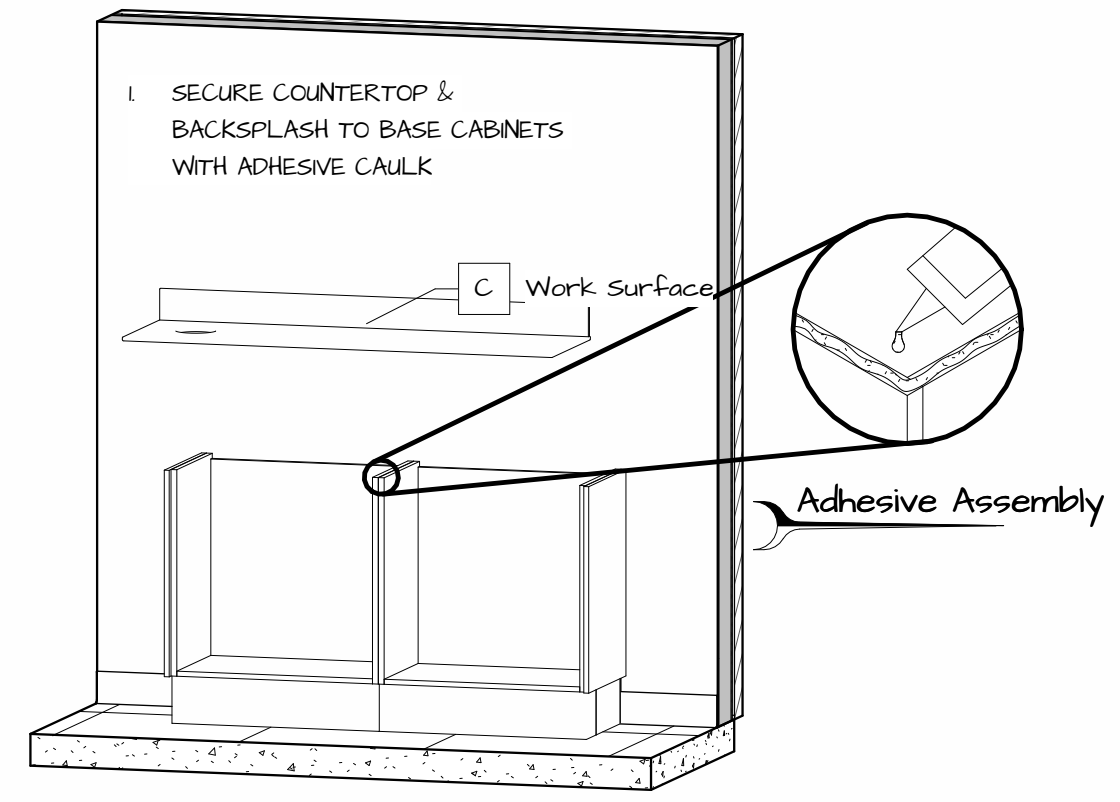
Backers	
Description	Length
2x6 Backer	2' - 4 7/32"
2x6 Backer	2' - 4 7/32"
	4' - 8 13/32"



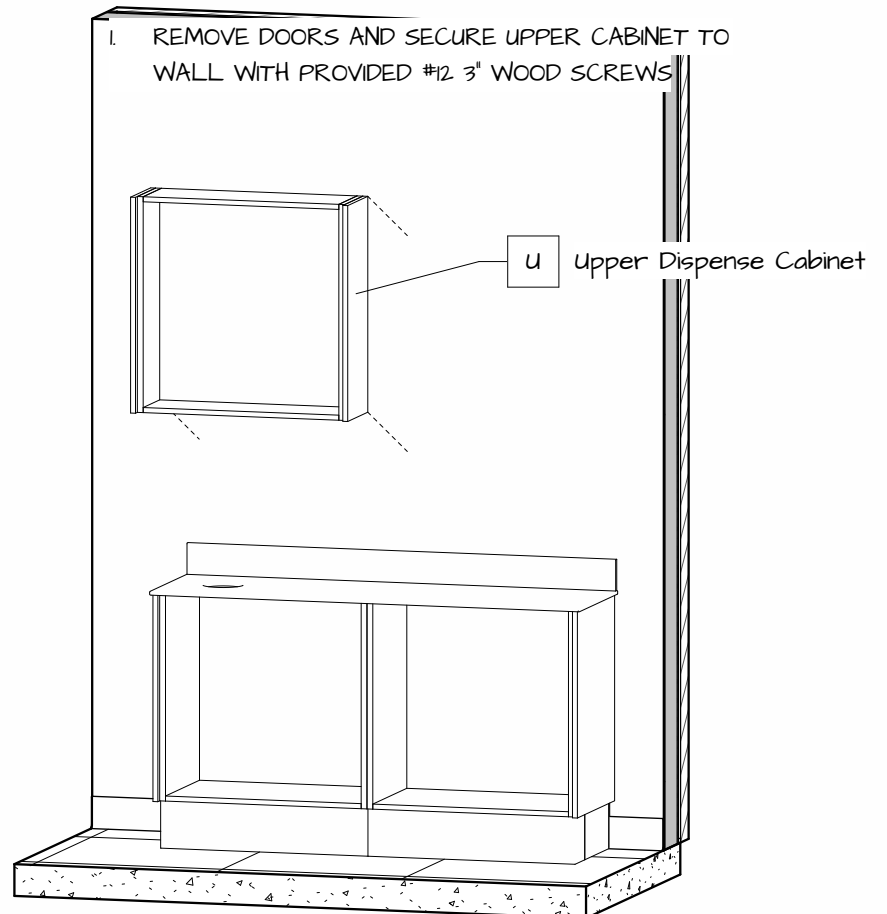
1 Utilities Location



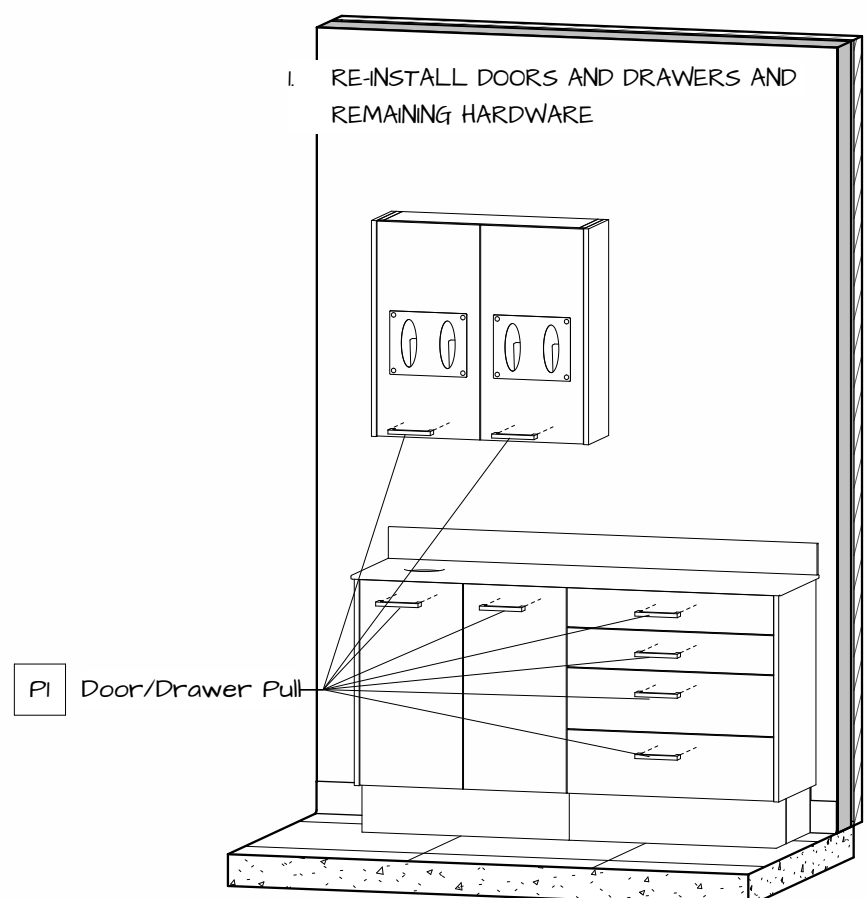
2.1 Install Base Cabinets



2.2 Install CounterTop

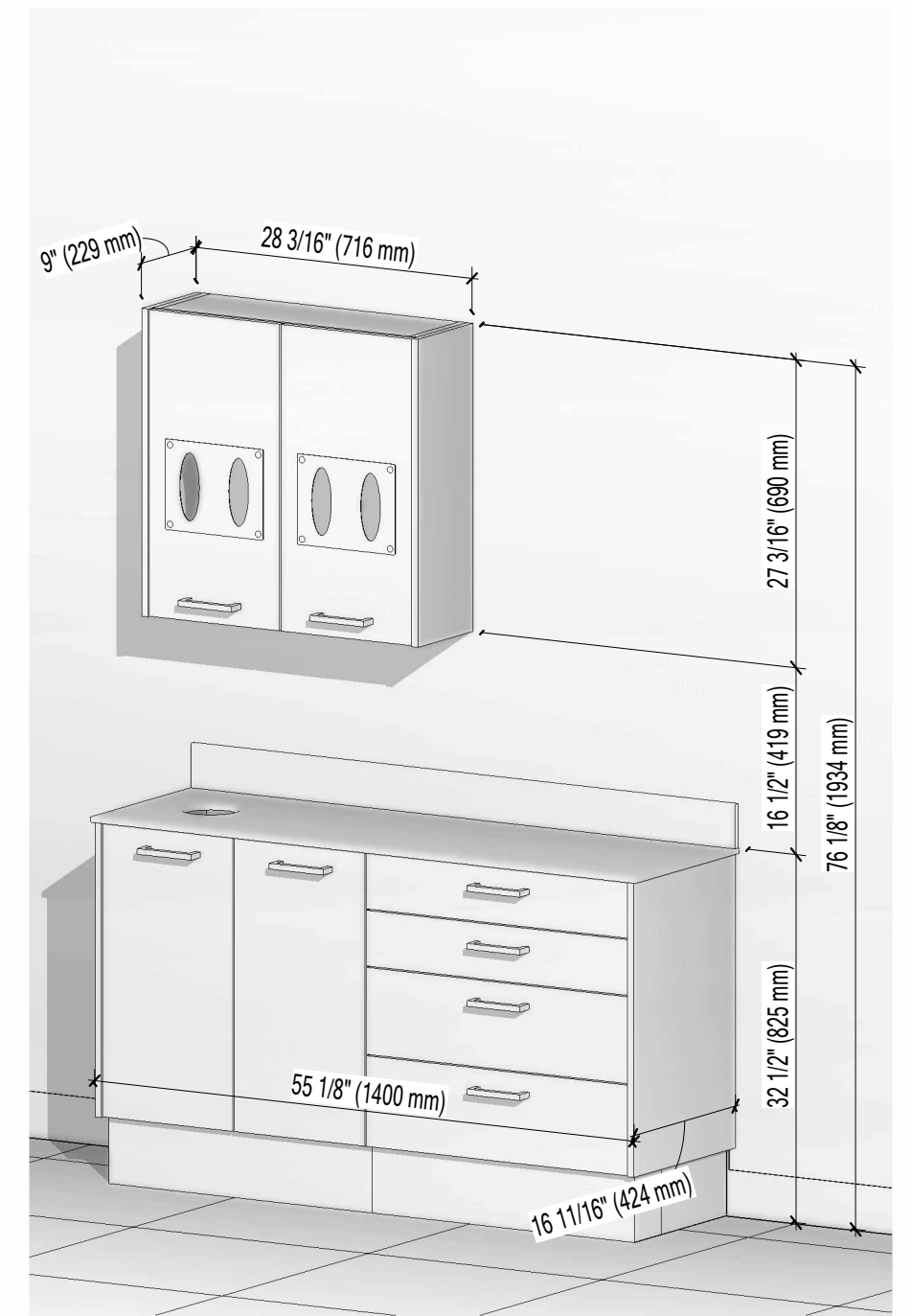


2.3 Install Upper Cabinets



2.4 Install Hardware

Packing List			
Mark	Model	Description	Qty
		#12 3" Wood Screws	4
		Anchor Bolts	8
		Tube of Caulk	1
B	B21/B22	Side Console Base	1
C		Work Surface	1
P1		Door/Drawer Pull	8
U	U3/U34	Upper Dispense Cabinet	1



3 Final Installation View



Installation Drawing		Prepared For: NOVA Solutions Inc.
LINEA		
Project	SIDE TREATMENT CENTER	I-1
Item #	ALSTC 03G-000-U31	
Drawn by: Justin Martin	09/05/24	Rev. 1