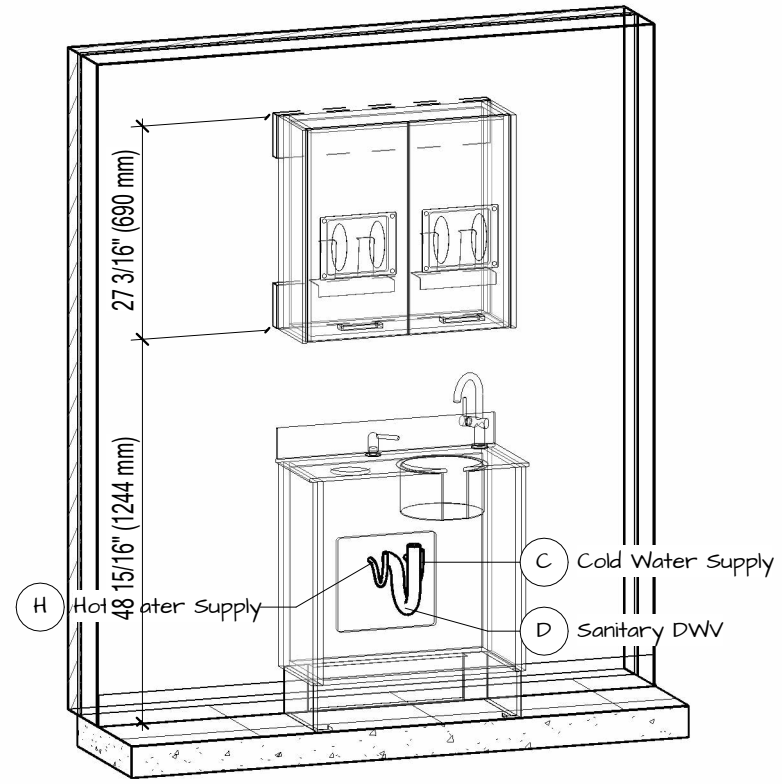
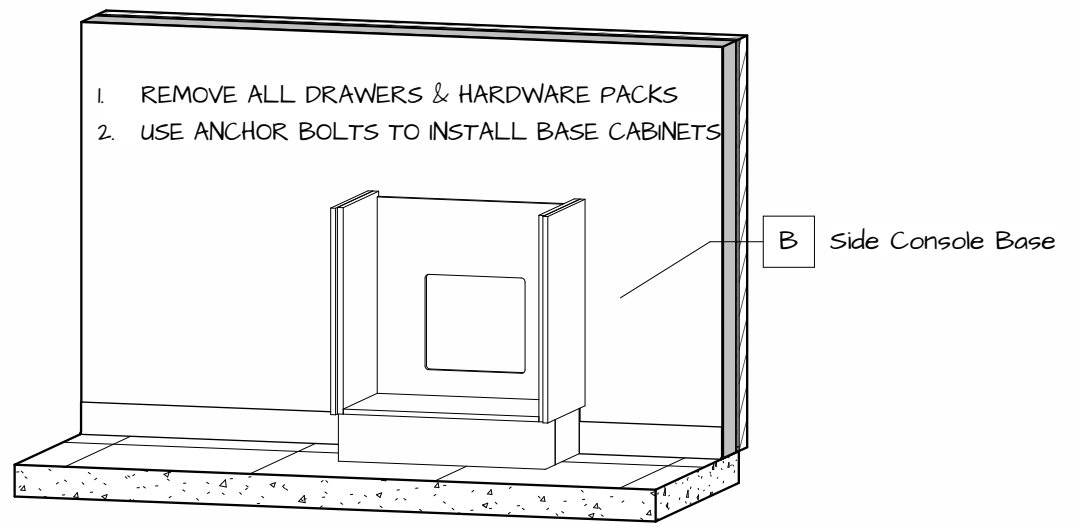


| Backers | |
|-------------|---------------|
| Description | Length |
| 2x6 Backer | 2' - 4 7/32" |
| 2x6 Backer | 2' - 4 7/32" |
| | 4' - 8 13/32" |

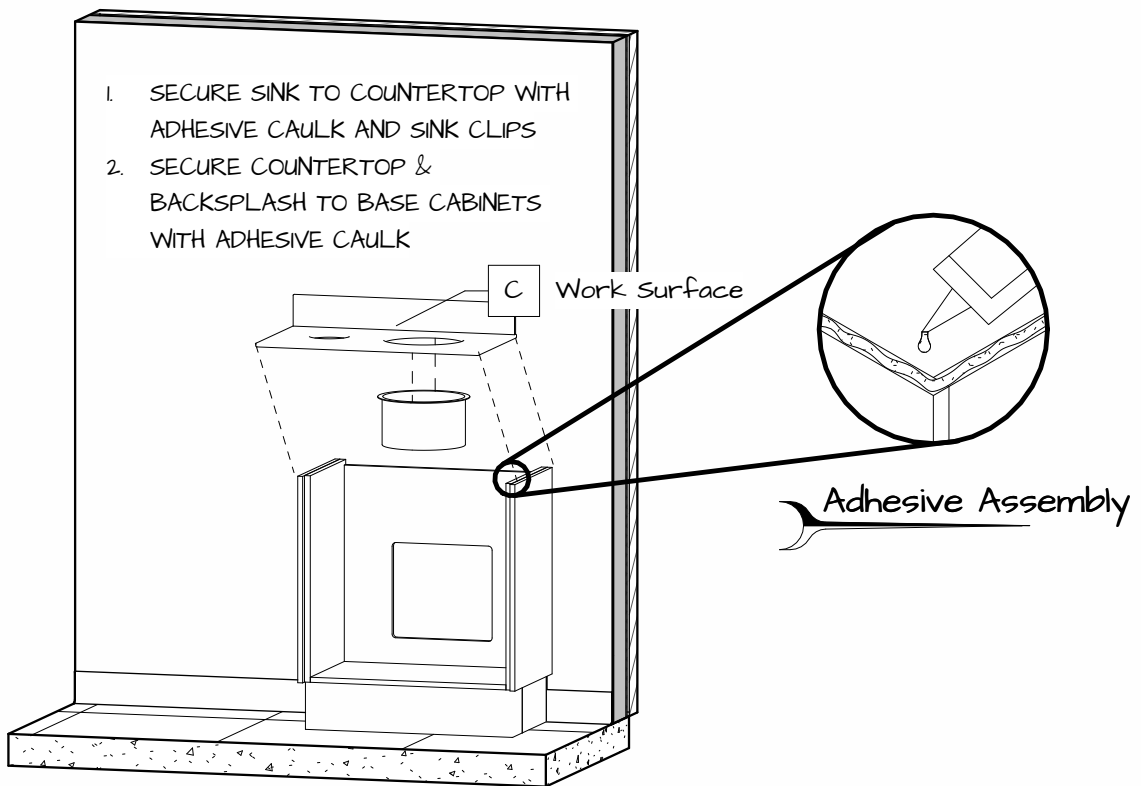
| Plumbing Utilities | | |
|--------------------|-------------------|-----|
| Mark | Description | Qty |
| H | Hot Water Supply | 1 |
| C | Cold Water Supply | 1 |
| D | Sanitary DWV | 1 |



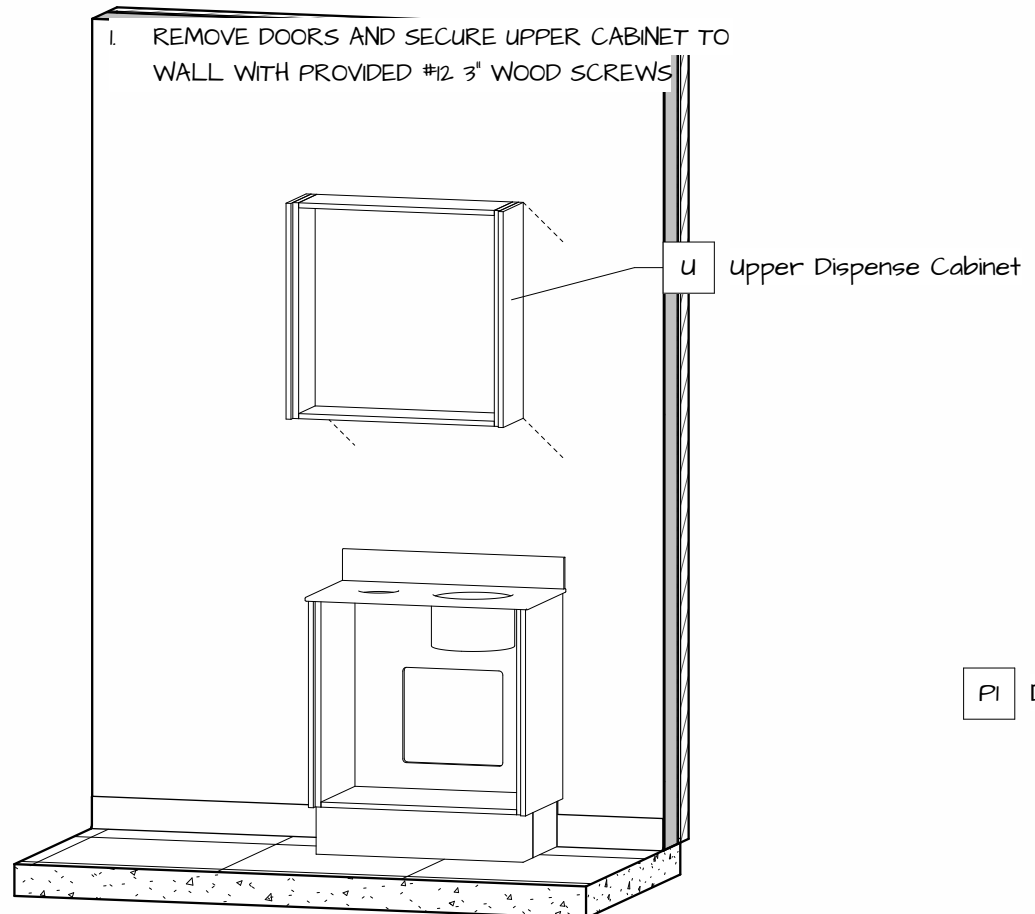
1 Utilities Location



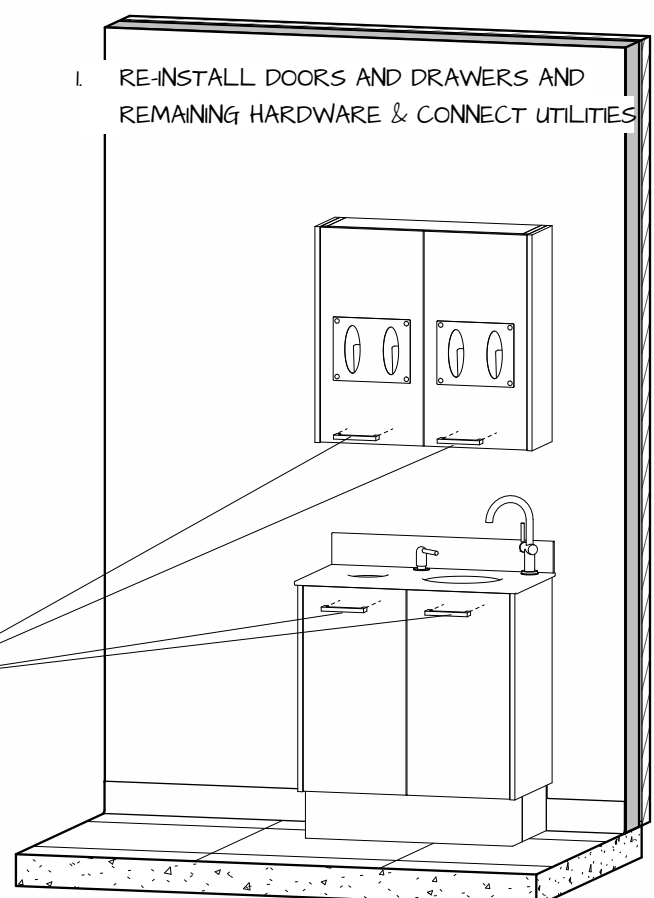
2.1 Install Base Cabinets



2.2 Install CounterTop

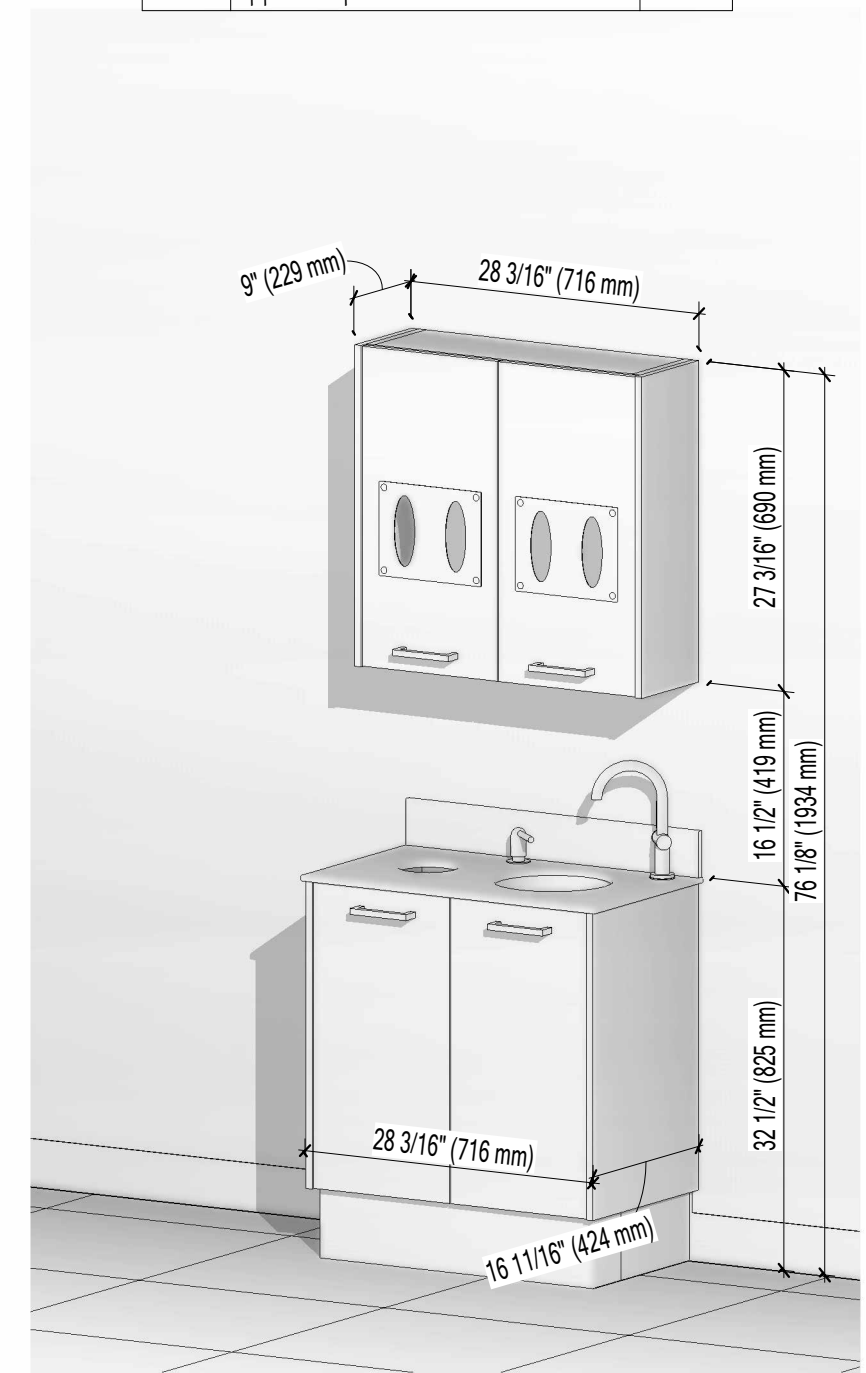


2.3 Install Upper Cabinets



2.4 Install Hardware

| Packing List | | |
|--------------|------------------------|-----|
| Mark | Description | Qty |
| | #12 3" Wood Screws | 4 |
| | Anchor Bolts | 4 |
| | Sink | 1 |
| | Strainer | 1 |
| | Tube of Caulk | 1 |
| B | Side Console Base | 1 |
| C | Work Surface | 1 |
| F | Faucet | 1 |
| P1 | Door/Drawer Pull | 4 |
| S | Soap Dispenser | 1 |
| U | Upper Dispense Cabinet | 1 |



3 Final Installation View



| Installation Drawing | | Prepared For: NOVA Solutions Inc. |
|----------------------|-----------------------|-----------------------------------|
| LINEA | | |
| Project | SIDE TREATMENT CENTER | I-1 |
| Item # | ALSTC 03J-000-U31 | |
| Drawn by: | Justin Martin | 09/05/24 |
| | | Rev. 1 |