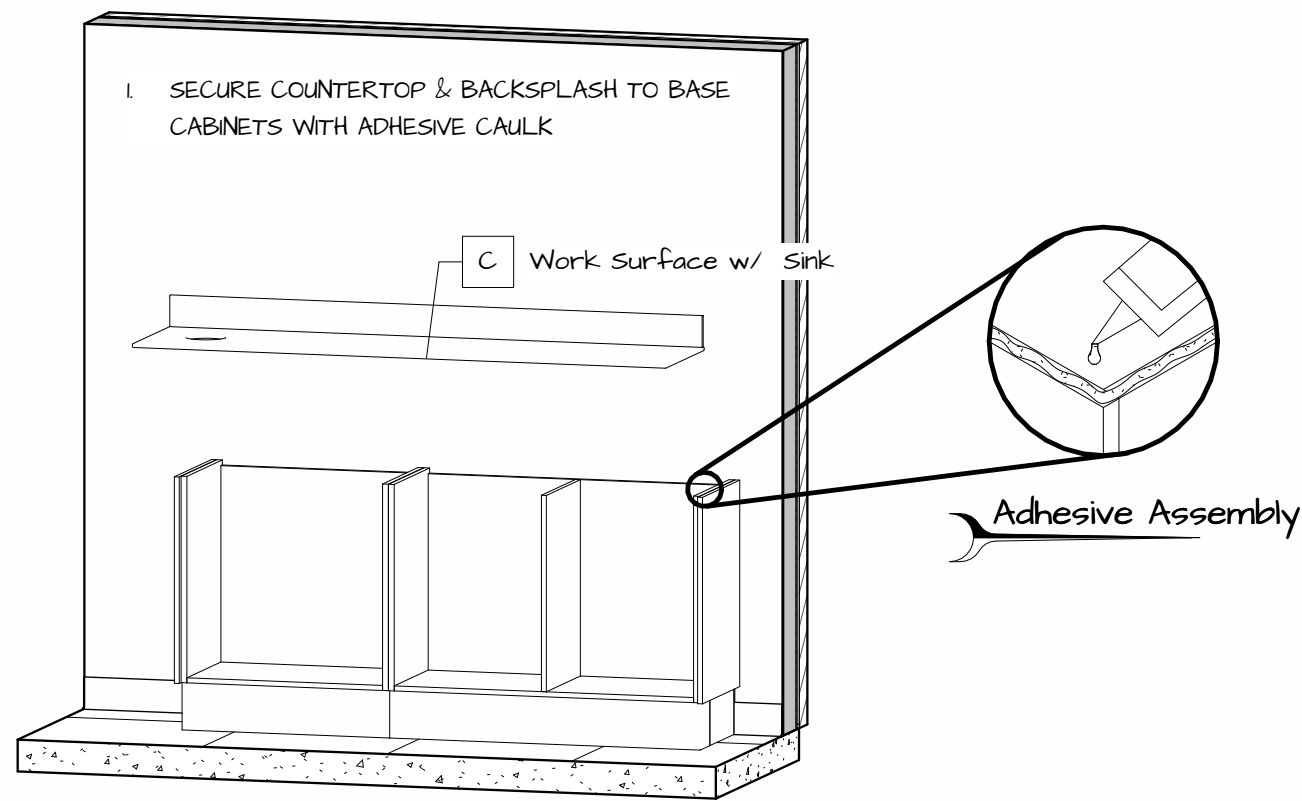
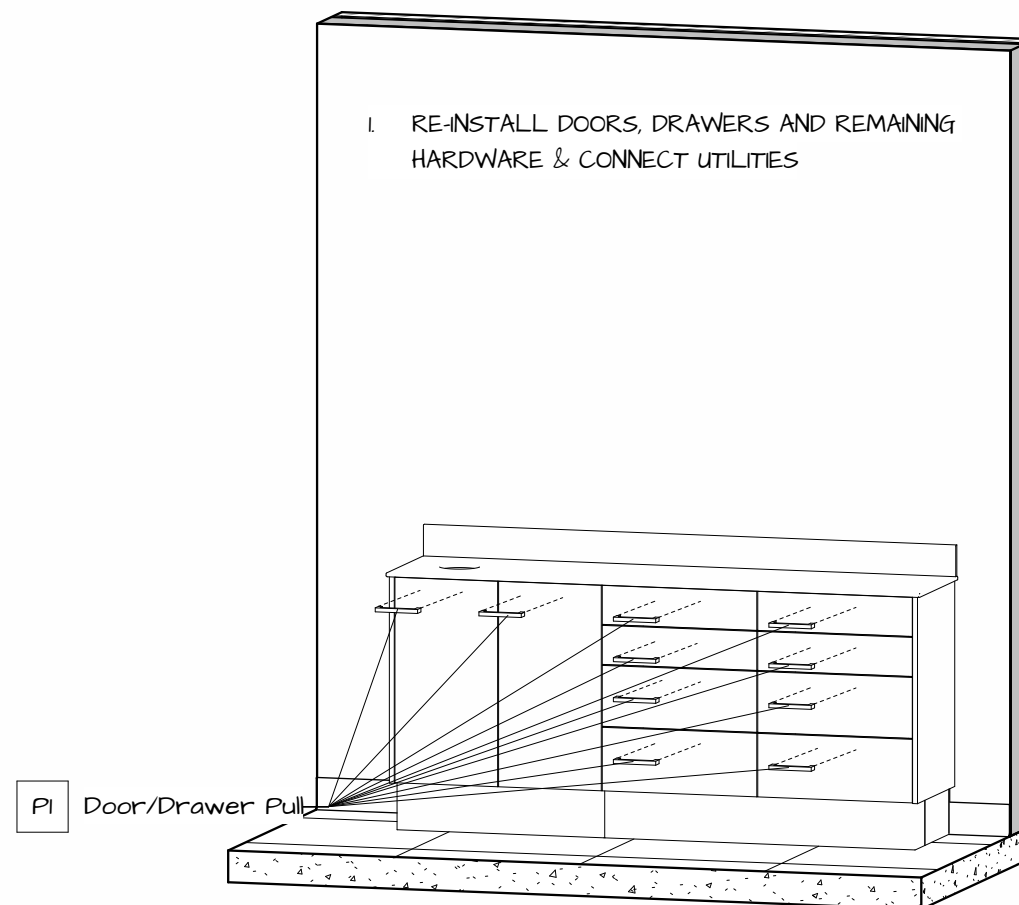


2.1 Install Base Cabinets

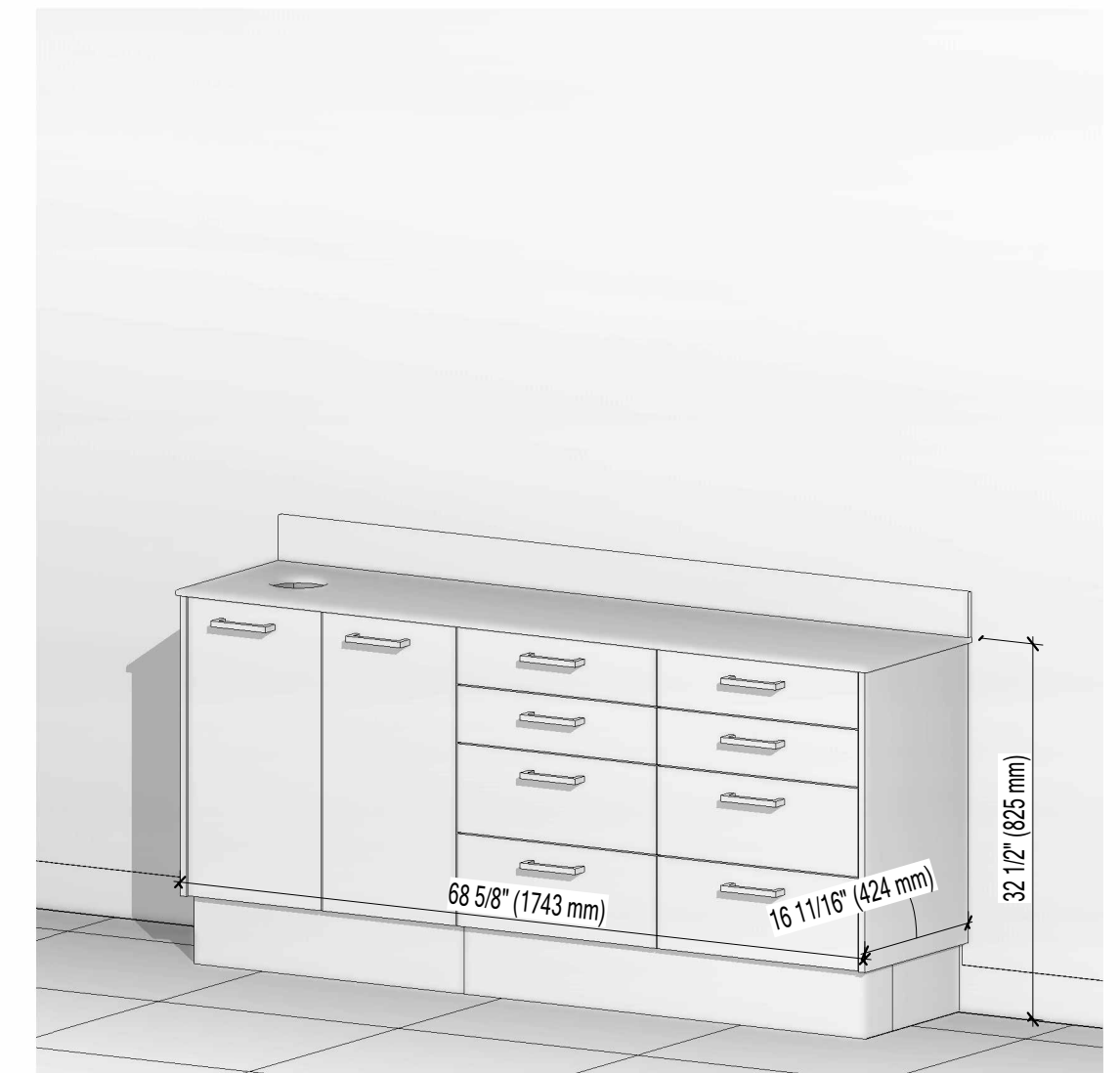


2.2 Install CounterTop



2.4 Install Hardware

Packing List		
Mark	Description	Qty
	Anchor Bolts	8
	Tube of Caulk	1
B	Side Console Base	1
C	Work Surface w/ Sink	1
Pl	Door/Drawer Pull	10



3 Final Installation View

anthos
NOVA Solutions Inc.
217-342-7070
sales@novasolutionsinc.com

Installation Drawing		Prepared For: Nova Solutions Inc.
LINEA		
Project	REAR TREATMENT CENTER	
Item #	ALSTC 03M-000-U00	
Drawn by: Justin Martin	09/27/24	I-1 Rev. 1