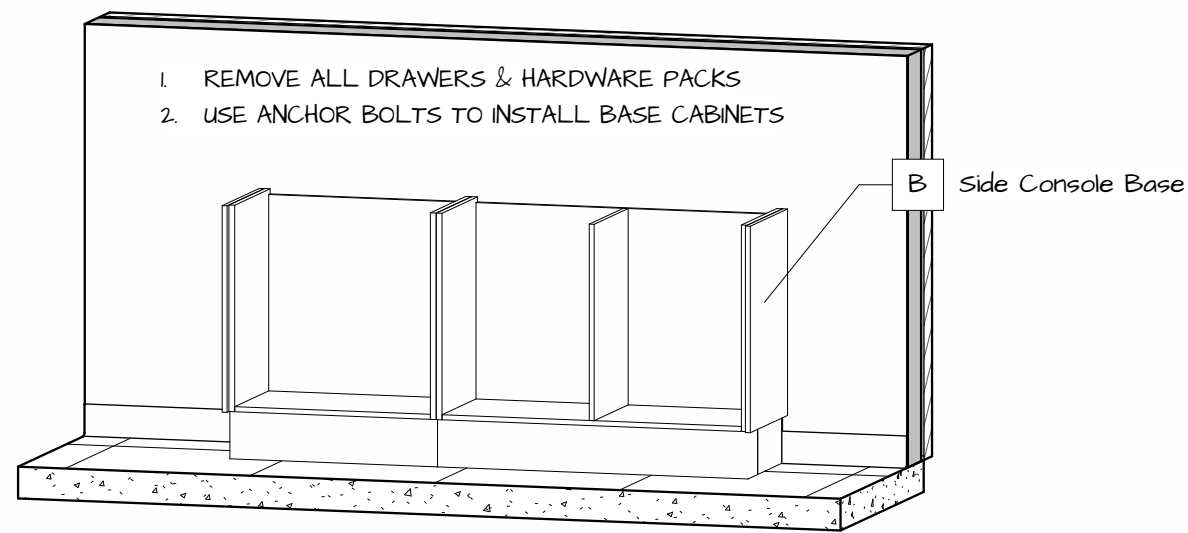


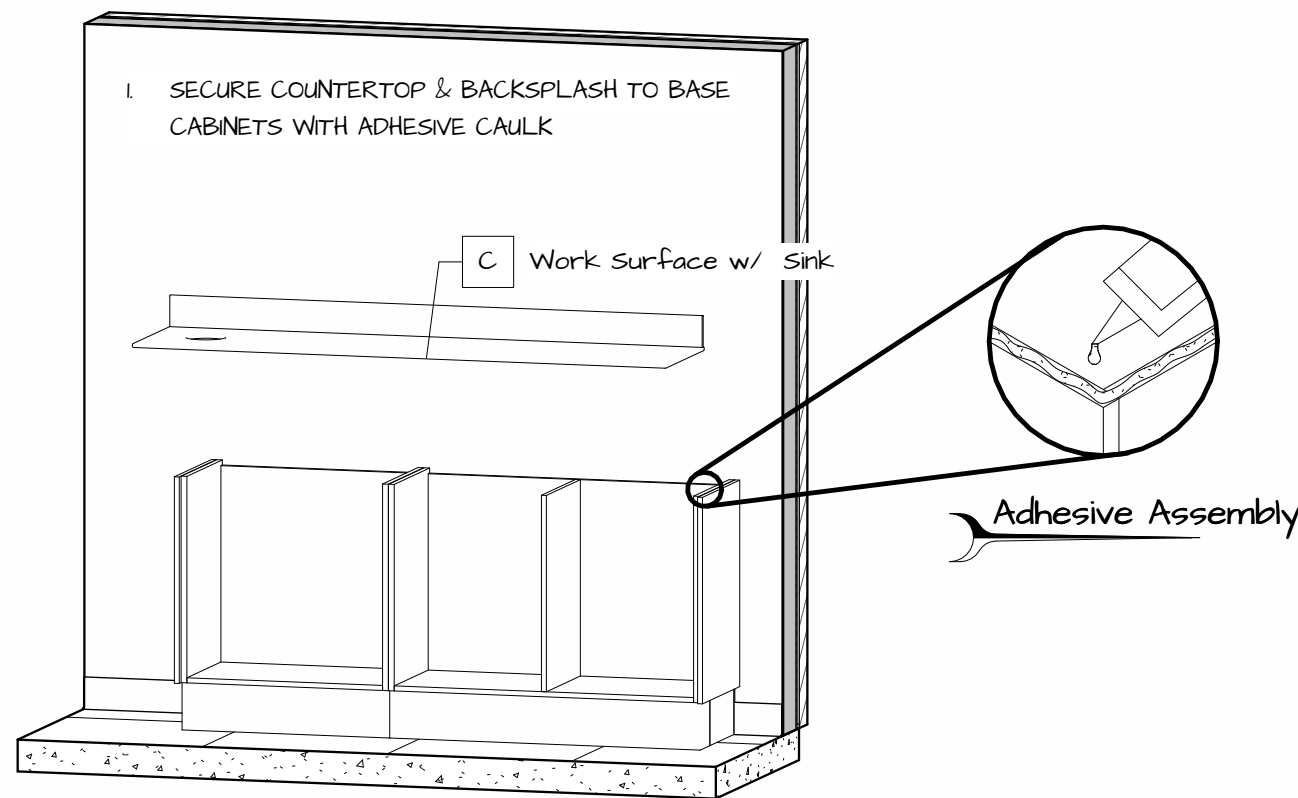
1 Utilities Location

| Backers     |               |
|-------------|---------------|
| Description | Length        |
| 2x6 Backer  | 2' - 4 7/32"  |
| 2x6 Backer  | 2' - 4 7/32"  |
|             | 4' - 8 13/32" |

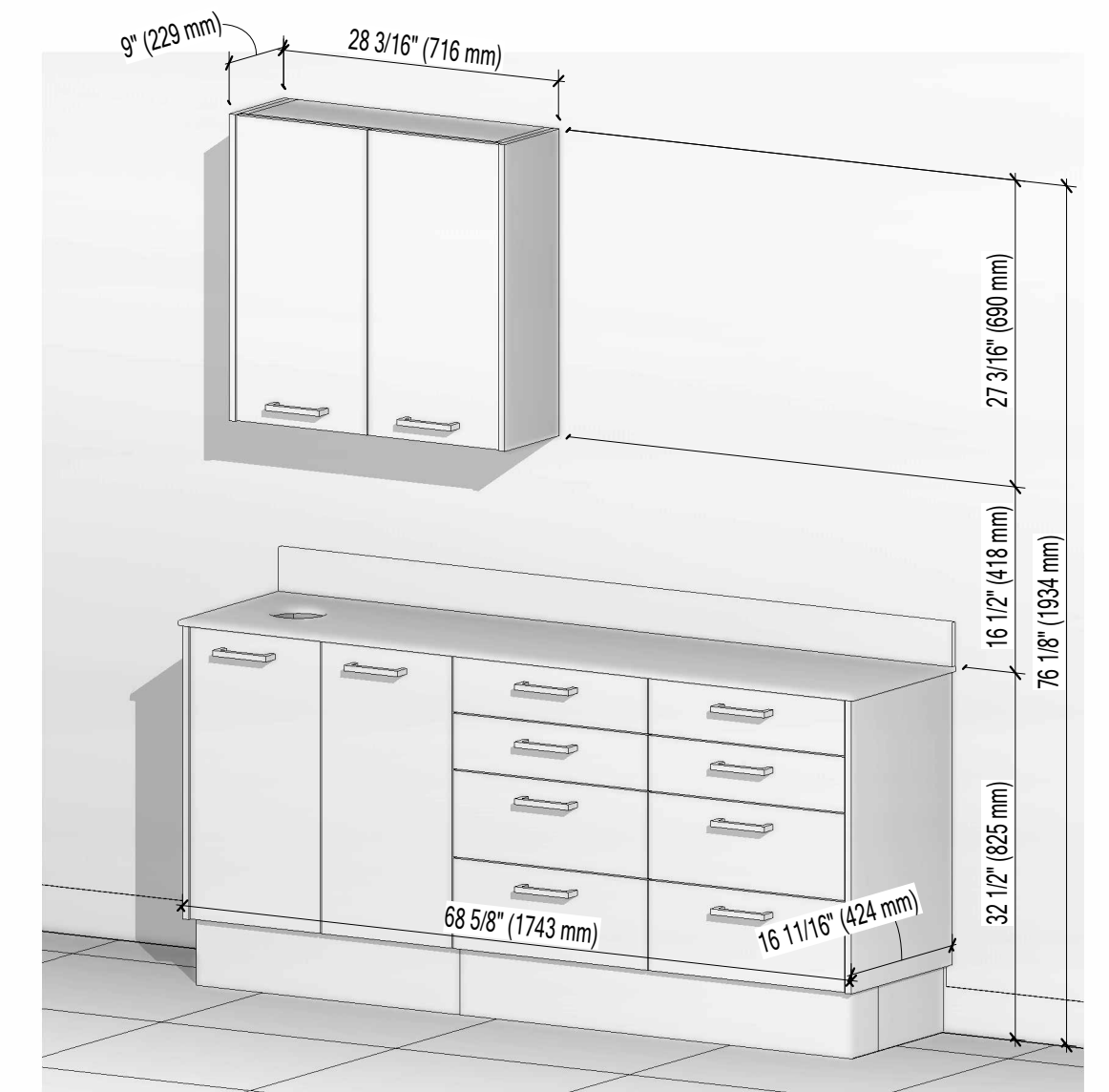
| Packing List |                       |     |
|--------------|-----------------------|-----|
| Mark         | Description           | Qty |
|              | #12 3" Wood Screws    | 4   |
|              | Anchor Bolts          | 8   |
|              | Tube of Caulk         | 1   |
| B            | Side Console Base     | 1   |
| C            | Work Surface w/ Sink  | 1   |
| P1           | Door/Drawer Pull      | 12  |
| U            | Upper Storage Cabinet | 1   |



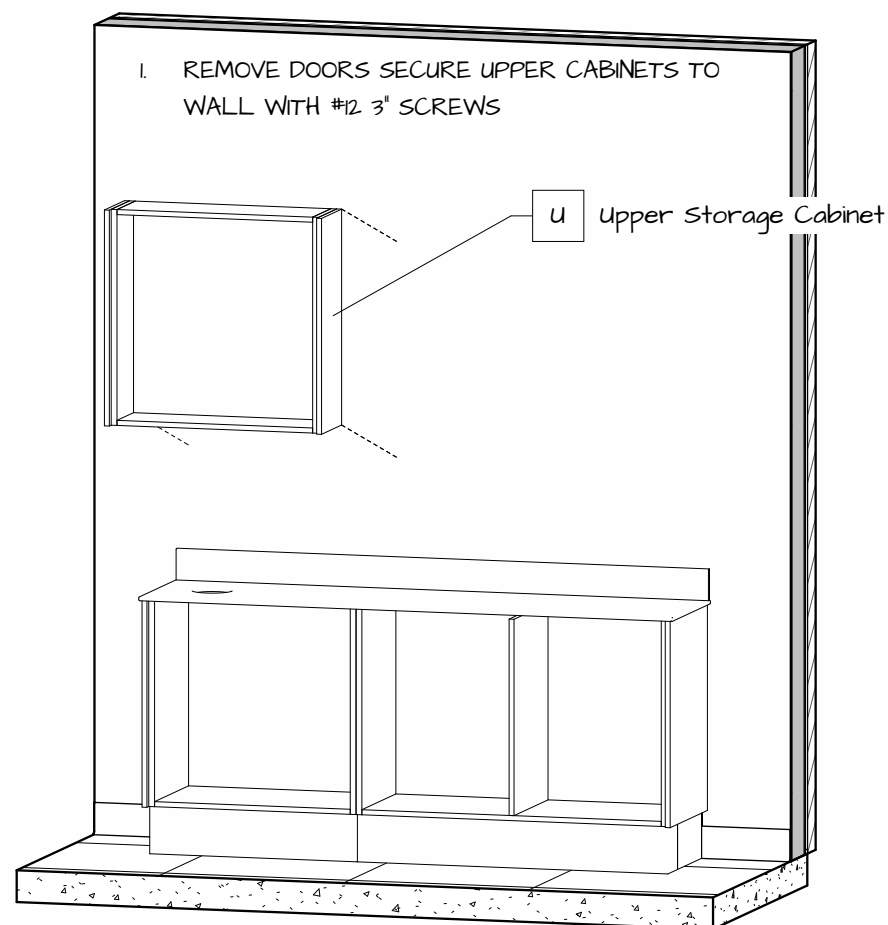
2.1 Install Base Cabinets



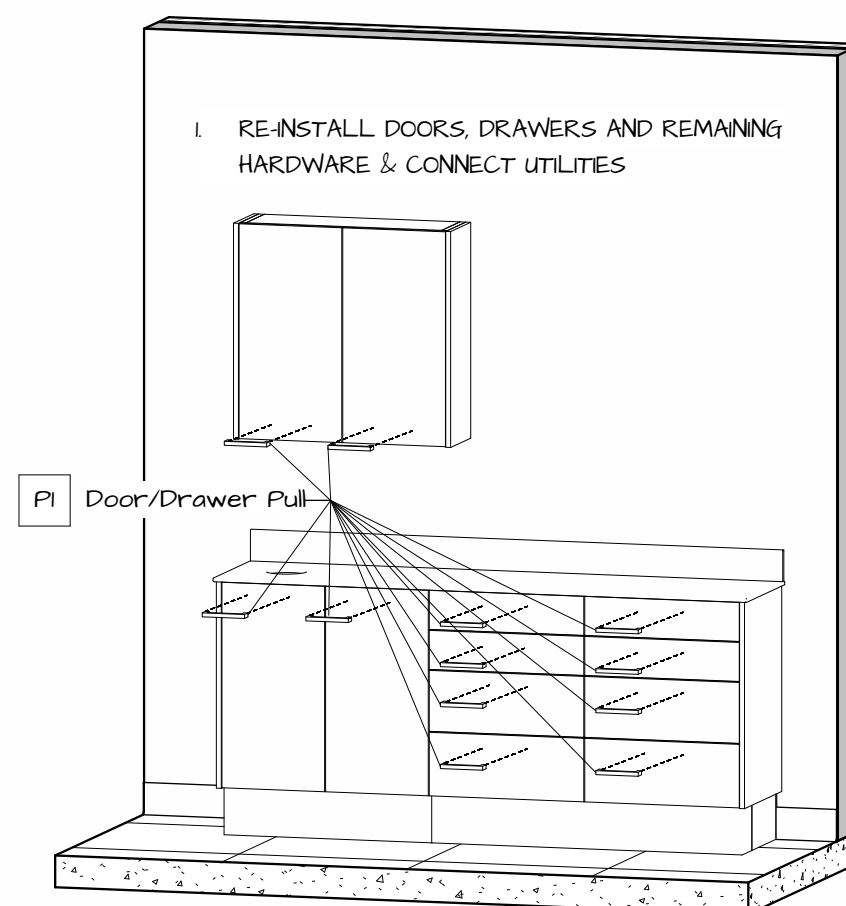
2.2 Install CounterTop



3 Final Installation View



2.3 Install Upper Cabinets



2.4 Install Hardware



|                      |                       |                                   |
|----------------------|-----------------------|-----------------------------------|
| Installation Drawing |                       | Prepared For: Nova Solutions Inc. |
| <b>LINEA</b>         |                       |                                   |
| Project              | REAR TREATMENT CENTER | <b>I-1</b>                        |
| Item #               | ALSTC 03M-000-U32     |                                   |
| Drawn by:            | Justin Martin         | 09/27/24                          |
|                      |                       | Rev. 1                            |