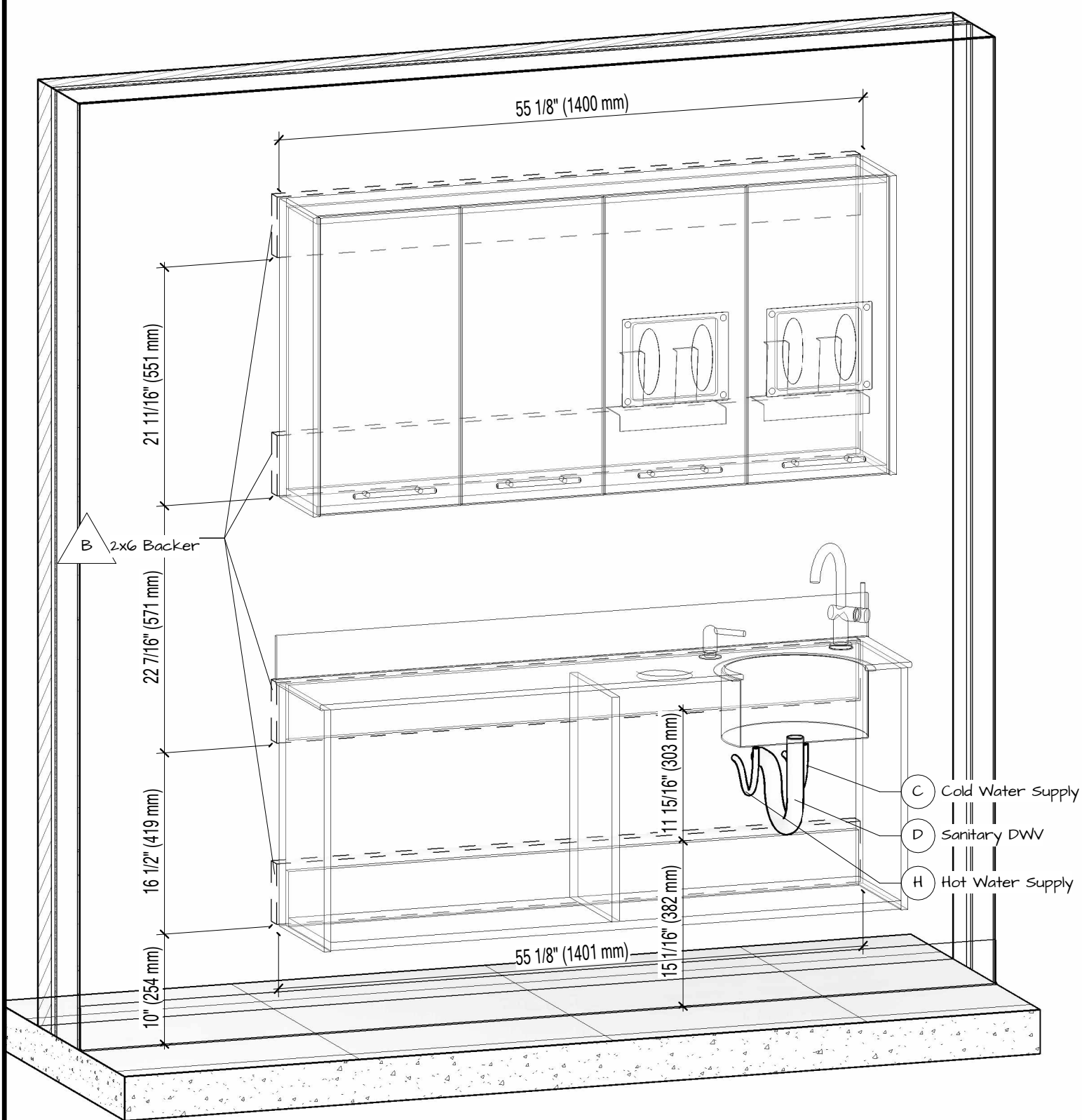


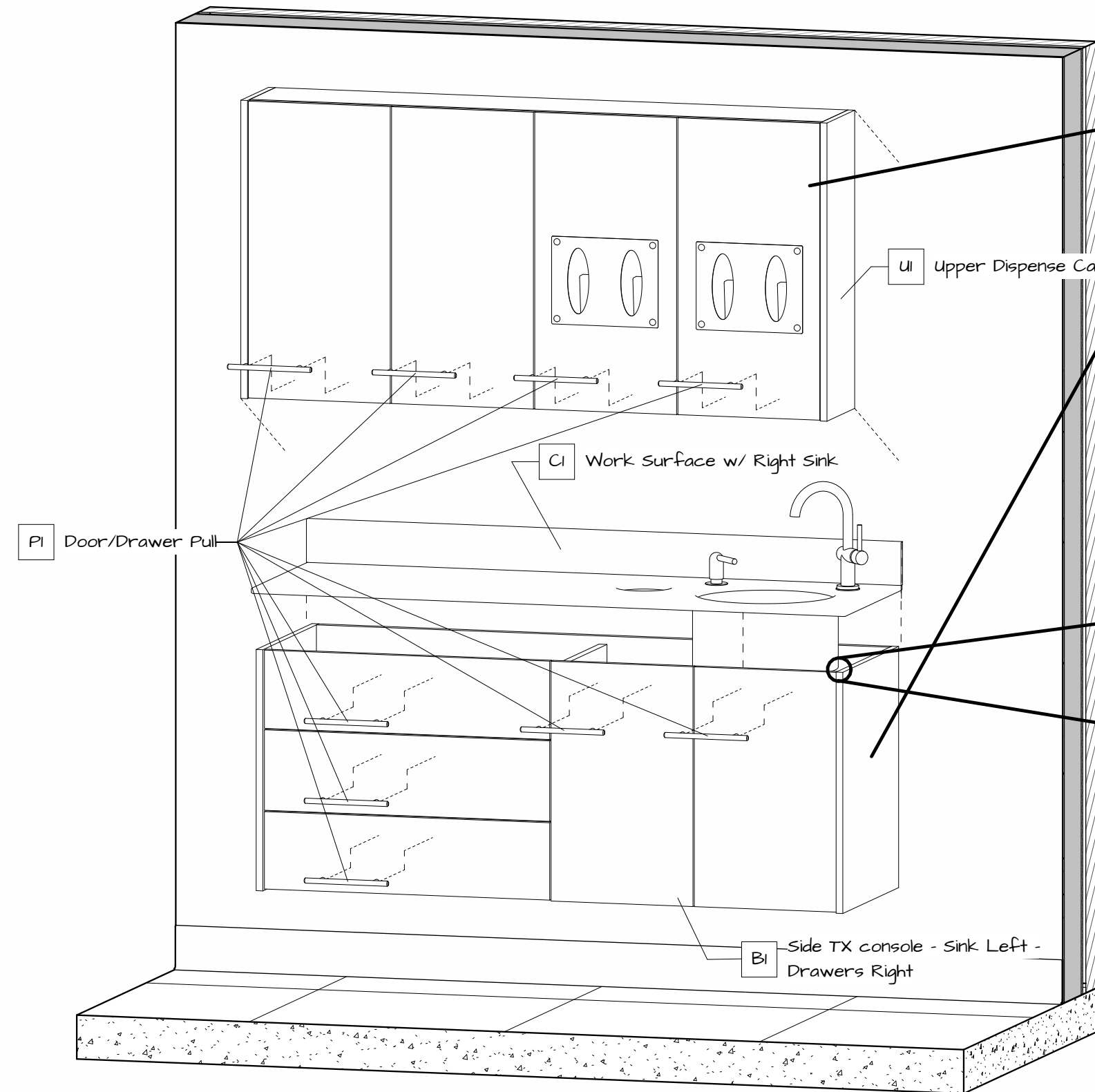
Packing List			
Mark	Model	Description	Qty
		Screws	12
Bi	B32	Side TX console - Sink Left - Drawers Right	1
Ci	B32s	Work Surface w/ Right Sink	1
Pi		Door/Drawer Pull	9
Ui	U34	Upper Dispense Cabinet	1

Backers	
Description	Length
2x6 Backer	4' - 7 3/32"
2x6 Backer	4' - 7 3/32"
2x6 Backer	4' - 7 5/32"
2x6 Backer	4' - 7 5/32"
18' - 4 1/2"	

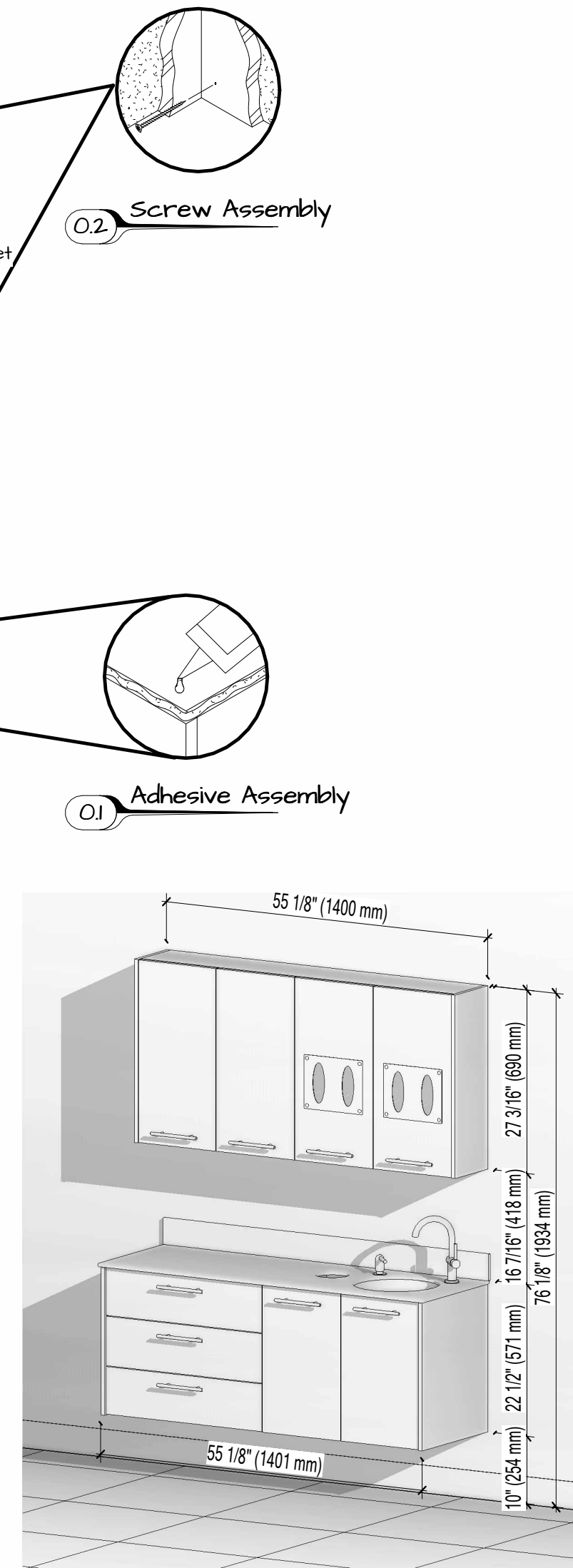
Utilities		
Mark	Description	Qty
H	Hot Water Supply	1
C	Cold Water Supply	1
D	Sanitary DWV	1



1 Utilities Location



2 Front Install



3 Final Installation View



NOVA Solutions Inc.
217-342-7070
sales@novasolutionsinc.com

Installation Drawing	
Title	ALSTC B32-H00-U34
Date	05/05/2024
Drawn by	Justin Martin