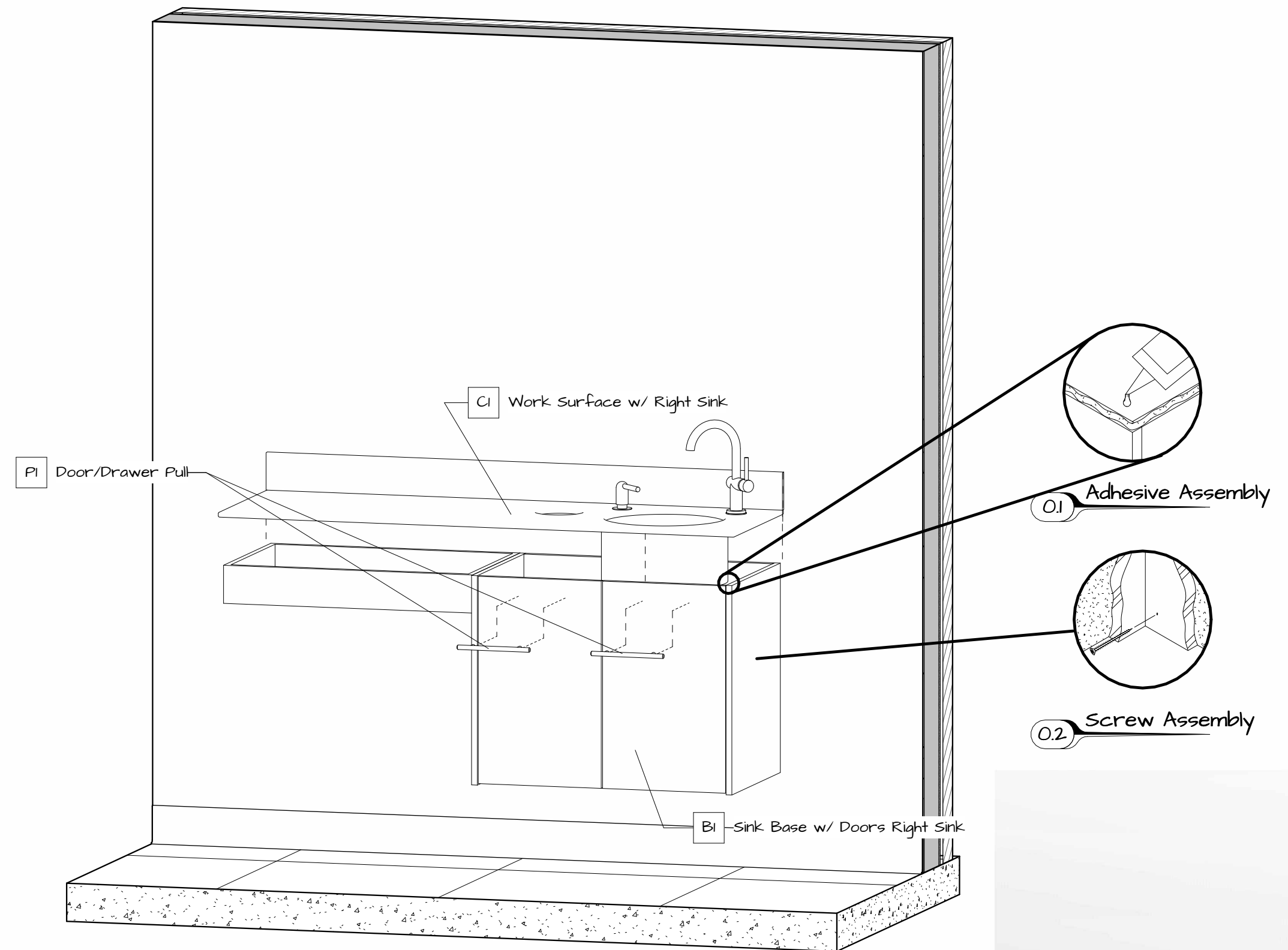
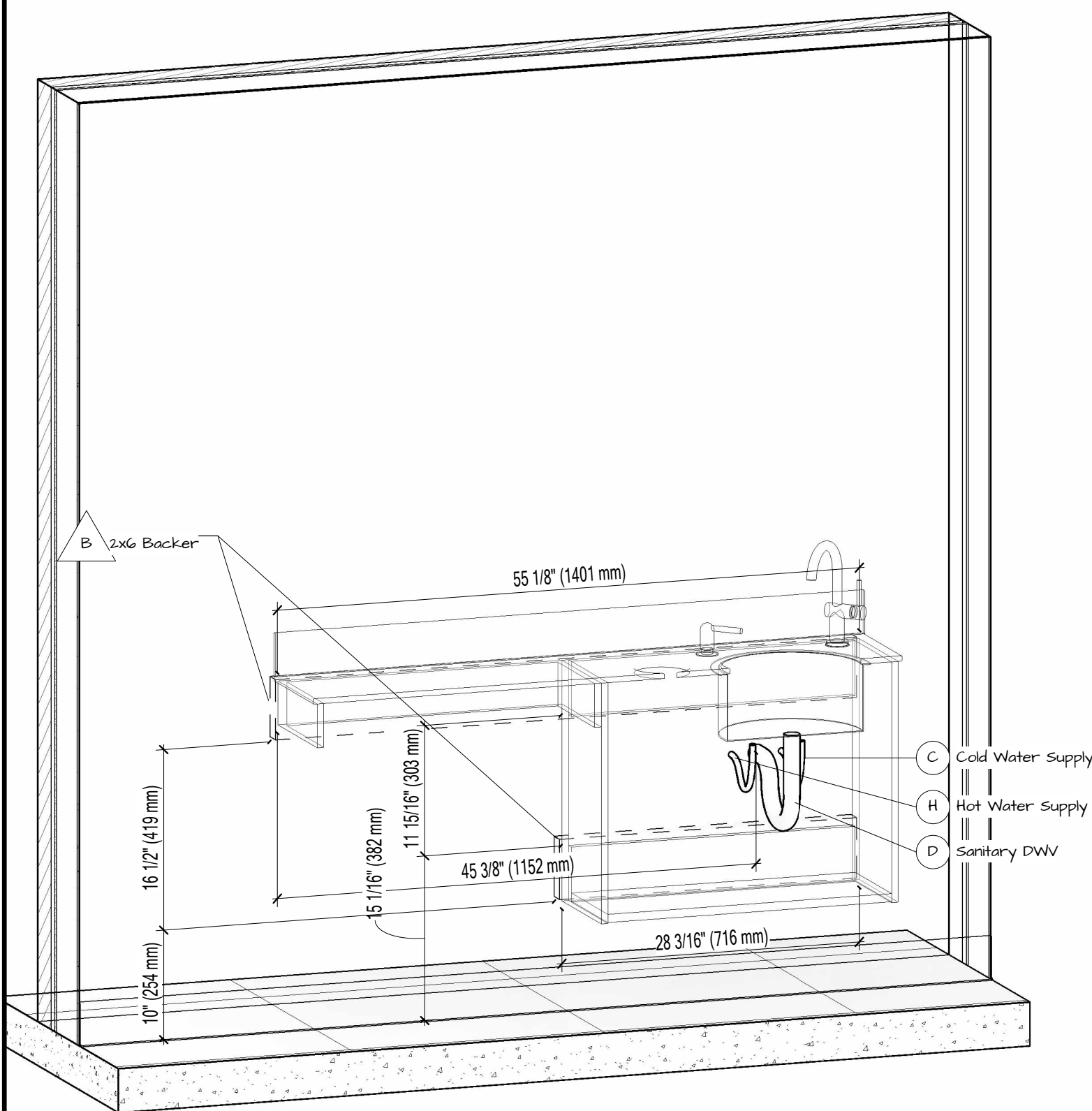


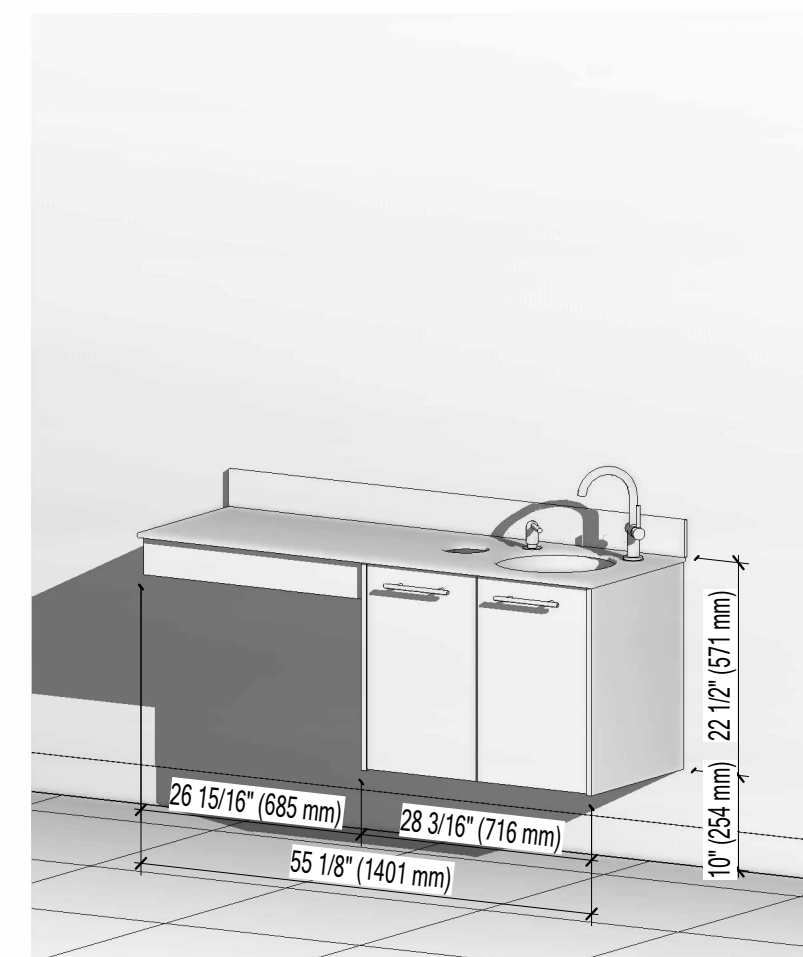
Packing List			
Mark	Model	Description	Qty
		Screws	6
BI	B35	Sink Base w/ Doors Right Sink	1
CI	model	Work Surface w/ Right Sink	1
PI		Door/Drawer Pull	2

Backers	
Description	Length
2x6 Backer	2' - 4 3/16"
2x6 Backer	4' - 7 5/32"
6' - 11 1/32"	

Utilities		
Mark	Description	Qty
H	Hot Water Supply	1
C	Cold Water Supply	1
D	Sanitary DWV	1



2 Front Install



3 Final Installation View

1 Utilities Location



NOVA Solutions Inc.
217-342-7070
sales@novasolutionsinc.com

Installation Drawing	
Title	ALSTC B35-H00-U00
Date	4/26/2024
Drawn by	Justin Martin