



Sales Drawing Render

Prepared for: NOVA Solutions Inc.



NOVA Solutions Inc.
217-342-7070

sales@novasolutionsinc.com

LINEA

Project SIDE TREATMENT CENTER

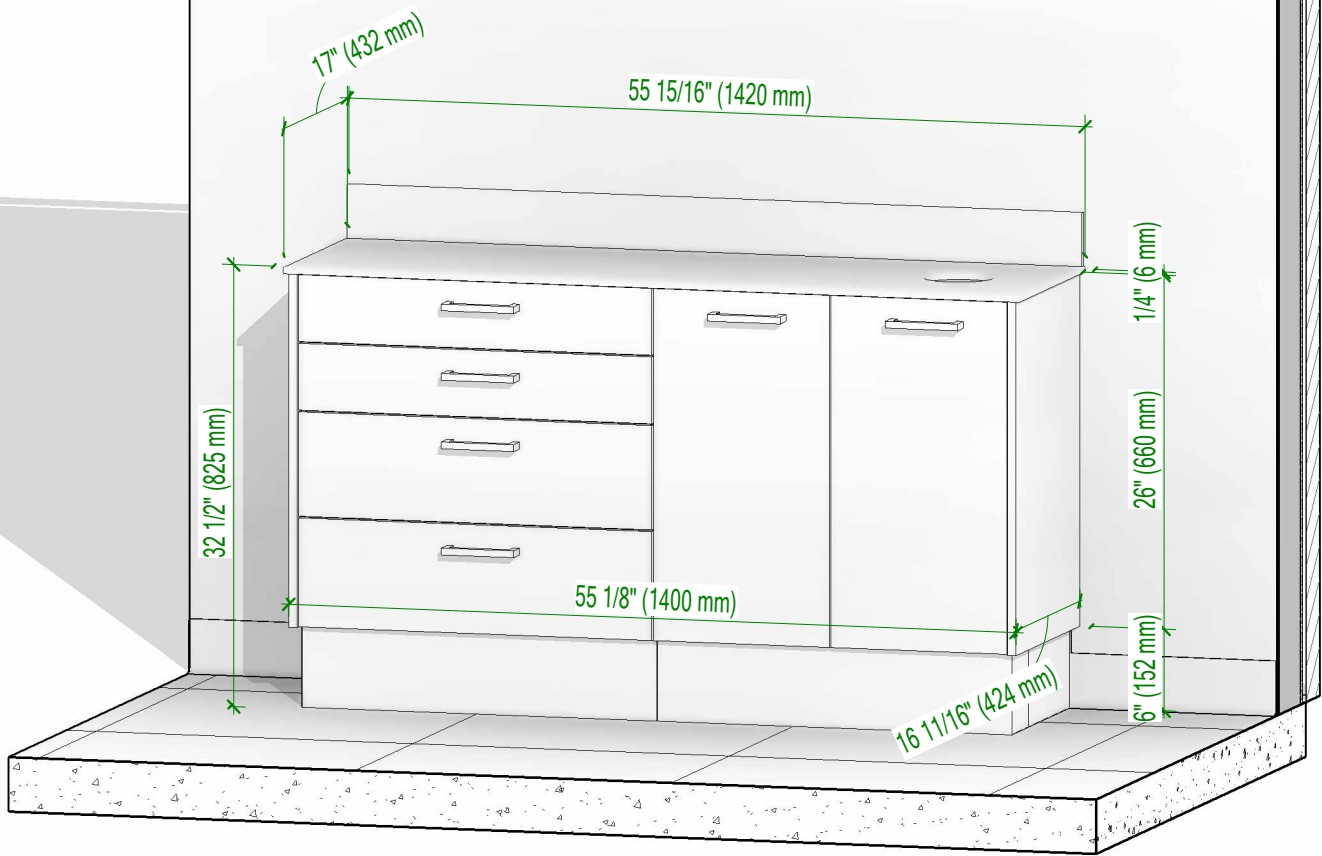
Item # ALSTC 03H-000-U00

Drawn by: Justin Martin

Date: 09/05/24

S-0

Rev: 1



1 Sales Front

anthos
 NOVA Solutions Inc.
 217-342-7070
 sales@novasolutionsinc.com

Sales Drawing		Prepared for: NOVA Solutions Inc.
LINEA		
Project	SIDE TREATMENT CENTER	S-1
Item #	ALSTC 03H-000-U00	
Drawn by: Justin Martin	Date: 09/05/24	Rev: 1