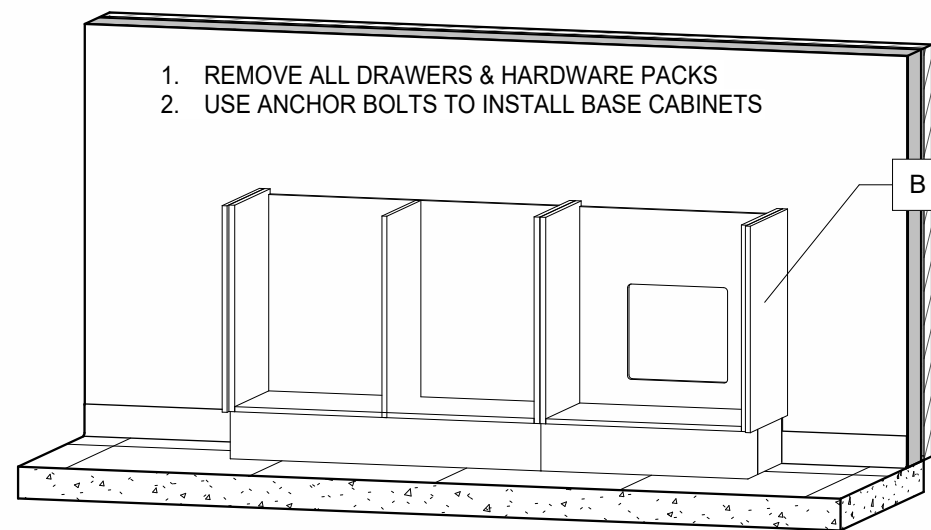


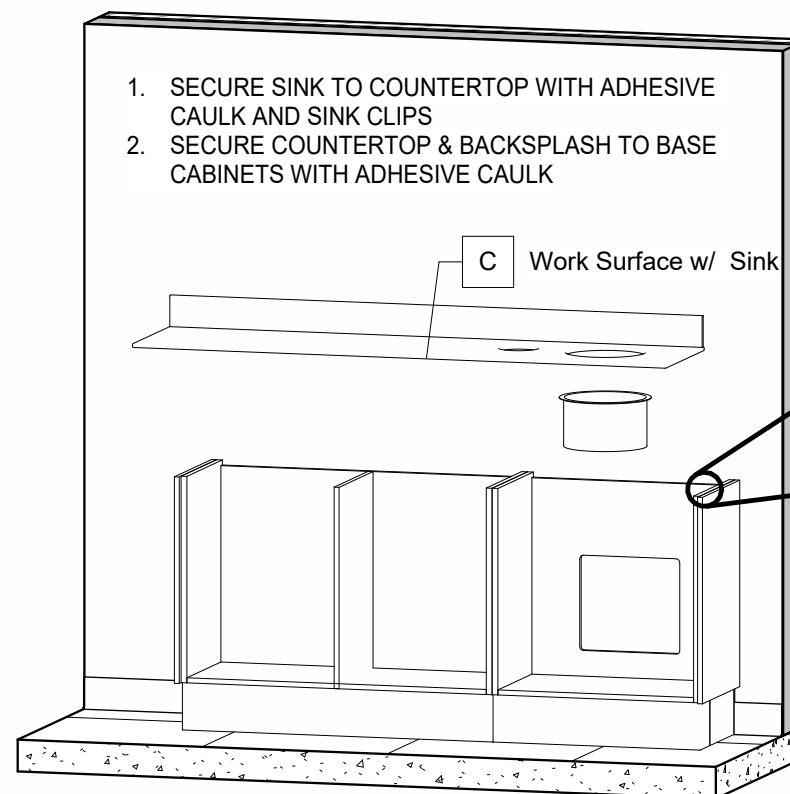
**1 Utilities Location**

Plumbing Utilities		
Mark	Description	Qty
H	Hot Water Supply	1
C	Cold Water Supply	1
D	Sanitary DWV	1

Packing List		
Mark	Description	Qty
	Anchor Bolts	8
	Sink	1
	Strainer	1
	Tube of Caulk	1
B	Side Console Base	1
C	Work Surface w/ Sink	1
F	Faucet	1
P1	Door/Drawer Pull	10
S	Soap Dispenser	1

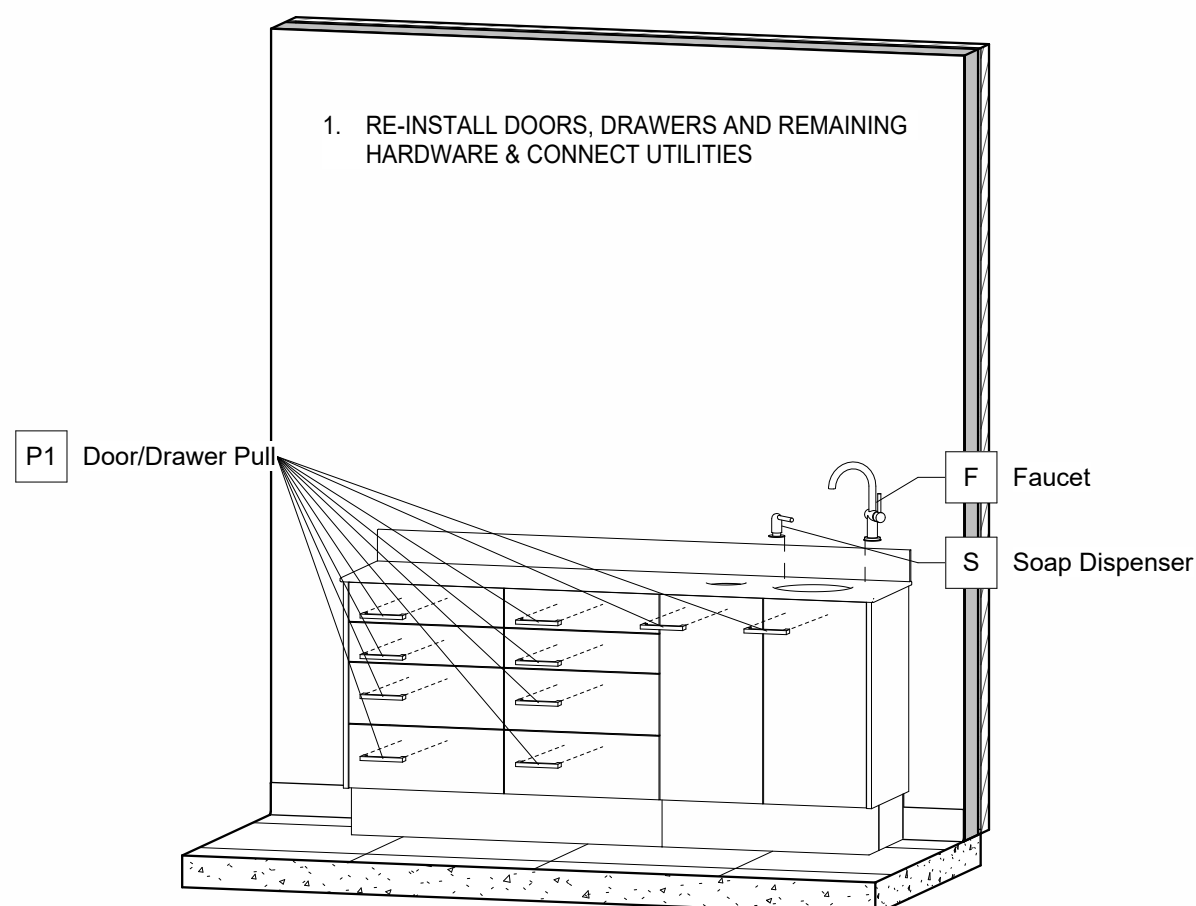


**2.1 Install Base Cabinets**

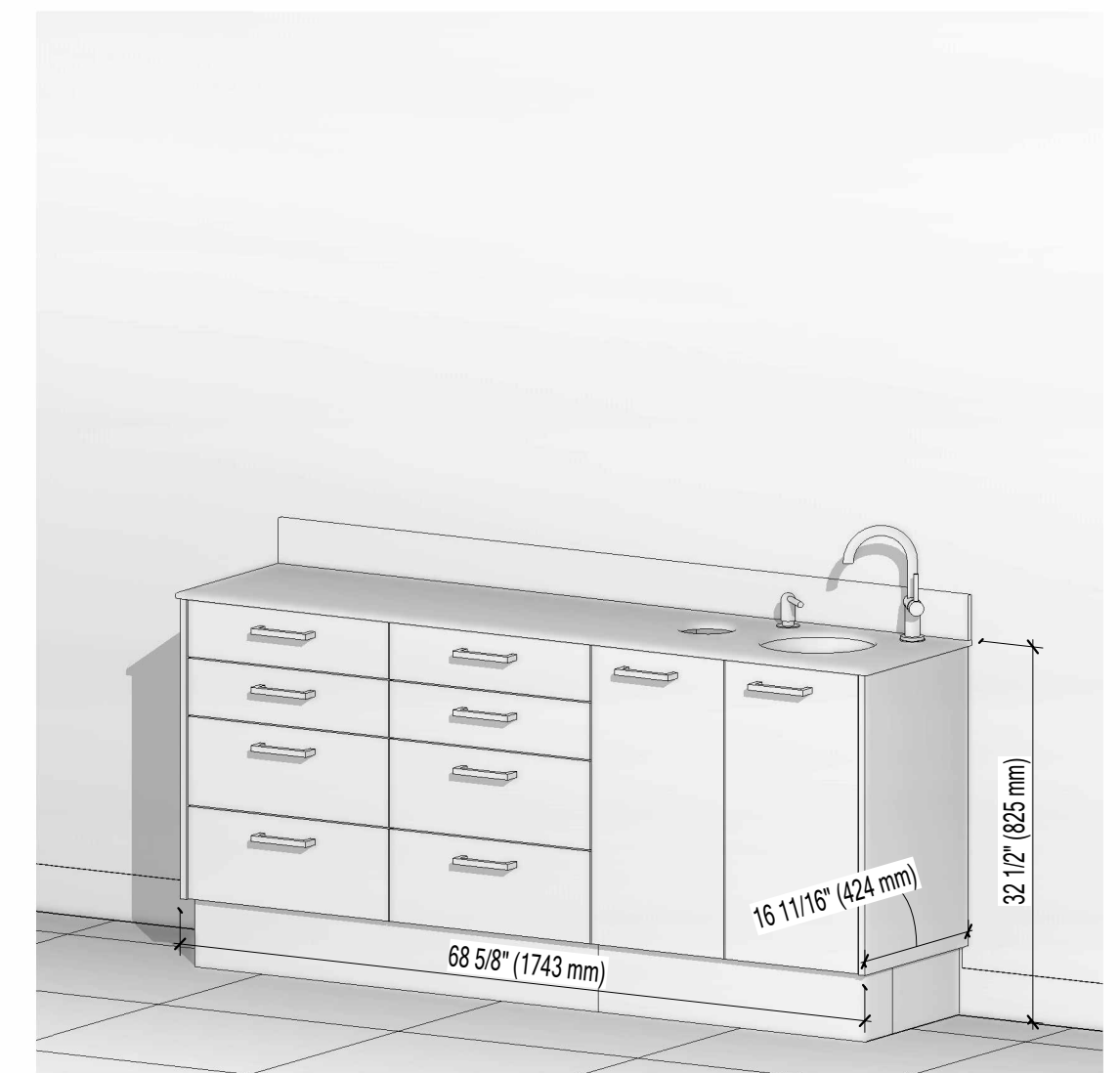


**2.2 Install CounterTop**

**Adhesive Assembly**



**2.4 Install Hardware**



**3 Final Installation View**



Installation Drawing		Prepared for: Nova Solutions Inc.
<b>LINEA</b>		
Project	SIDE TREATMENT CENTER	<b>I-1</b>
Item #	ALSTC 03L-000-U00	
Drawn by:	Justin Martin	09/18/24
		Rev: 1