

## How to: Attach Flat Panel Display to Flat Panel Arm

To mount your monitor to the Flat Panel Arm begin by loosening the **wing nut** and depressing the **silver spring pin** to remove the **VESA plate extension tube** from the **desk mount extension tube**. If your monitor has a VESA mounted stand remove it and attach the flat panel display to **VESA Plate** (using screws located on the back of your flat panel display, supplied by the manufacturer). See Figure 1. FPA ships standard with 100mm VESA plate - 75mm VESA plate available upon request. Contact Customer Support for more information.

Figure 1

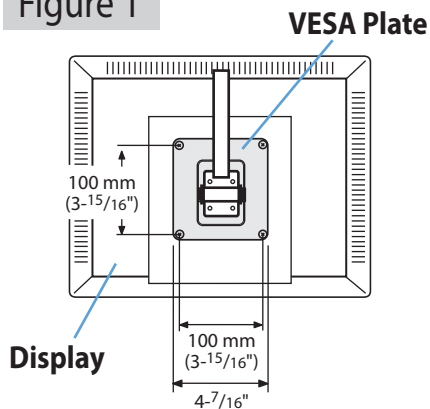
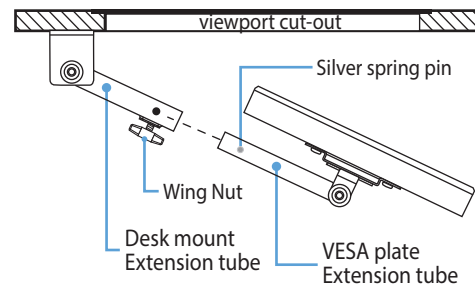
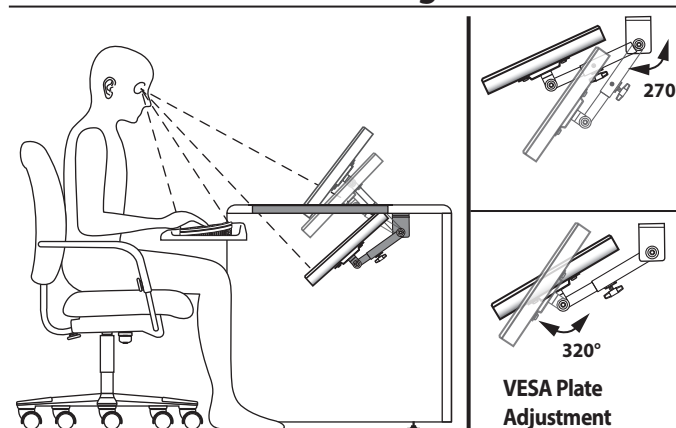


Figure 2



Once your flat panel display is securely mounted to the **VESA plate** depress **silver spring pin** on **VESA plate extension tube** and slide it back into the **desk mount extension tube**. Tighten **wing nut** to secure. See "Monitor Angle" for adjustment guidance. When installing some Apple® flat panel displays, a VESA Adapter may be necessary. Contact Apple Customer Support for more information.

## Monitor Angle



1. Locate screen as high as possible without raising glass.
2. Aim screen slightly above user's eyes. (Bottom of screen should be closer to eyes than top of screen.)
3. Preferred location is with top edge of flat panel display at back edge of glass.
4. For semi-recessed positions, remove viewport glass and raise flat panel display.