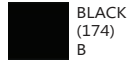




# 35" High Single Study Carrel

## Laminate Color Options

B = Base W = Worksurface



BLACK  
(174)  
B



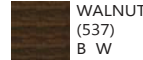
BLACK LODESTONE  
(N62)  
W



GREY NEBULA  
(044)  
W



FASHION GREY  
(227)  
B W



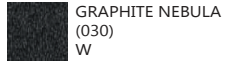
WALNUT  
(537)  
B W



WILD CHERRY  
(567)  
B W



SLATE GREY  
(129)  
B



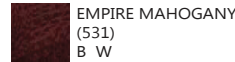
GRAPHITE NEBULA  
(030)  
W



SILVER  
(N99)  
B W



WHITE  
(664)  
B W



EMPIRE MAHOGANY  
(531)  
B W



FUSION MAPLE  
(560)  
B W

## Visual Display Options Available

### Trolley™ Monitor Lift

- TE0724NK - Trolley™ E
- TE0728NK - Trolley™ EXL

### Downview™ Flat Panel Arm

- FPA1621NK - 16" x 21" Viewport  
(24" Minimum Worksurface Depth Required)
- FPA1818NK - 18" x 18" Viewport  
(26" Minimum Worksurface Depth Required)
- FPA1821NK - 18" x 21" Viewport  
(26" Minimum Worksurface Depth Required)
- FPA2121NK - 21" x 21" Viewport  
(30" Minimum Worksurface Depth Required)
- FPA2124NK - 21" x 24" Viewport  
(30" Minimum Worksurface Depth Required)

### Surface Mount Arm

- SMA0203NK

If Visual Display Option is specified, a CPU shelf, powerstrip, and wire management channel will be added.

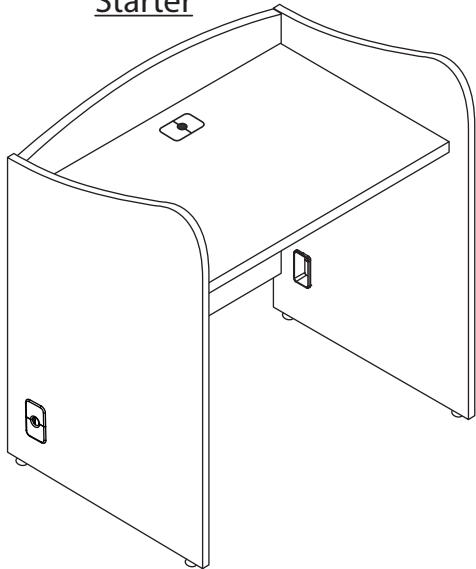
## Features

- 1" Thermofused Melamine Worksurface
- Flat PVC Edge Banding
- Manufactured with Recycled Post Industrial Materials
- Rectangular Black Plastic Grommet in Worksurface and End Panels
- Ships Knocked Down

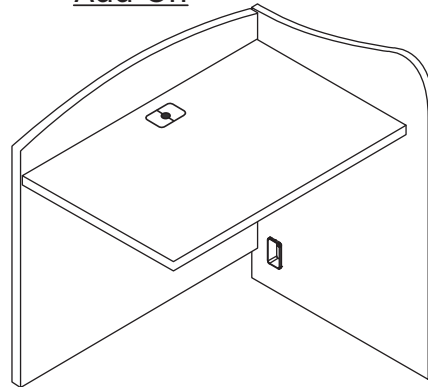
### Accessories:

Wire Management, Multi-plug Powerstrip, Keyboard Drawer, Dataports, CPU Holder, and other Accessories

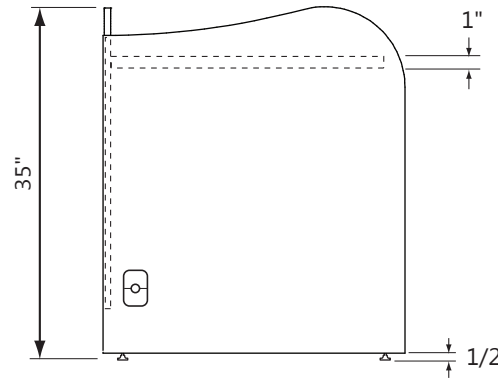
Starter



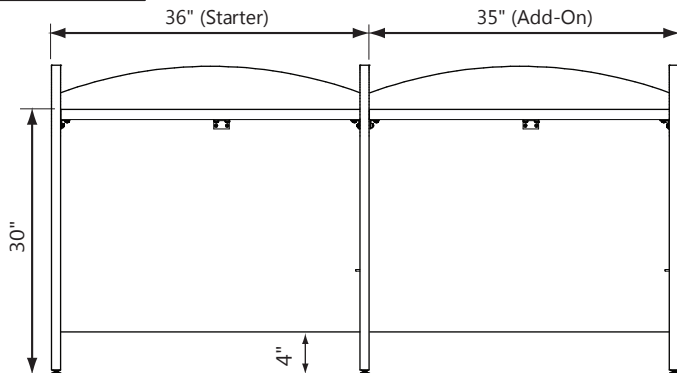
Add-On



Left View



Front View



Top View

