



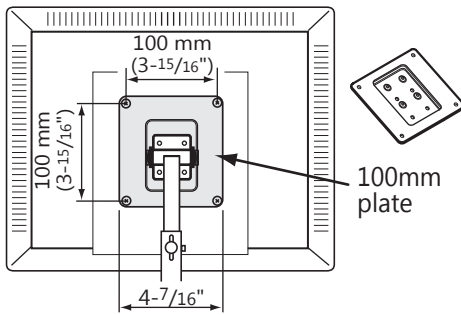
SURFACE MOUNT ARM

Dimensions are for underneath side of worksurface. Product specifications are subject to change without notice. Dimensions are nominal.

MAXIMUM MONITOR DIMENSIONS & WEIGHT

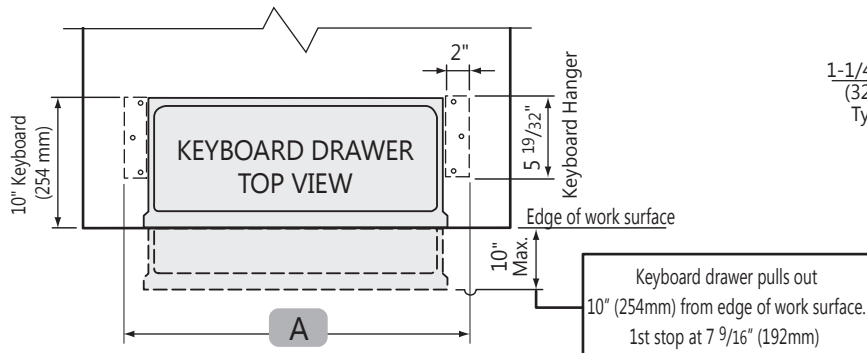
- Fits up to 24" widescreen monitors
- Weight of monitor cannot exceed 21 lbs

VESA PLATE (100mm included, 75mm available)



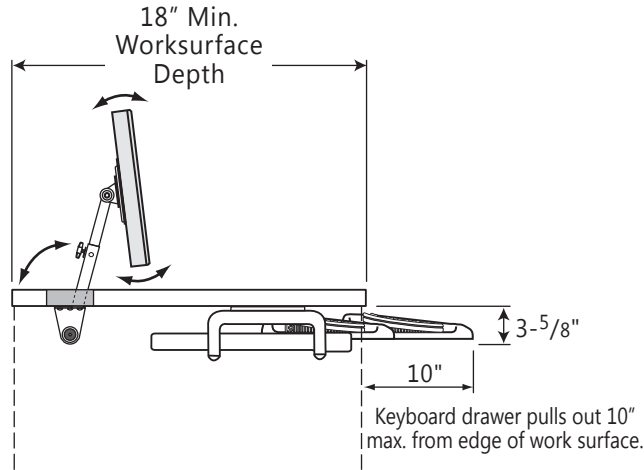
Refer to pricebook for keyboard availability with each kit.

Keyboard Size	Dimension A — Min. Kneespace Width	Dimension B — Keyboard Drill Pattern
24"	25 7/8" (657 mm)	22 19/32" (574 mm)
28"	29 1/2" (749 mm)	26 1/8" (663 mm)
30"	31 5/8" (803 mm)	28 1/16" (712 mm)
34"	35 1/2" (902 mm)	32 1/8" (815 mm)

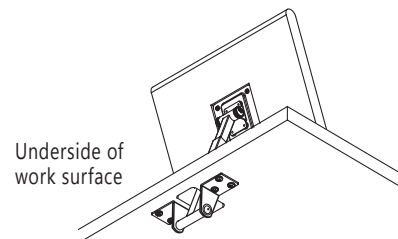
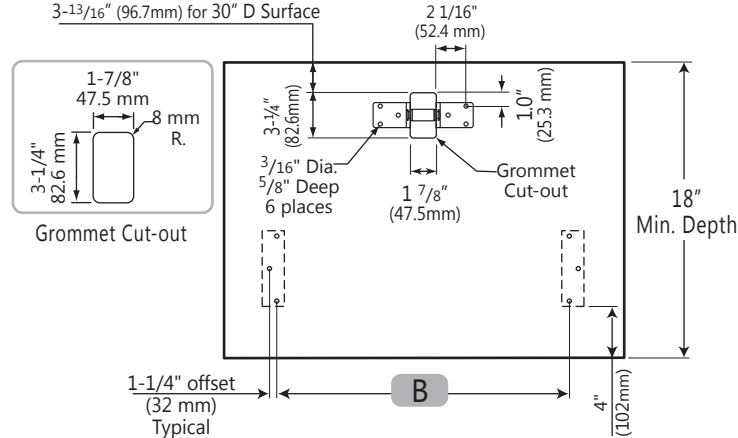


MINIMUM WORK SURFACE DEPTH

- Minimum Work Surface depth 18"



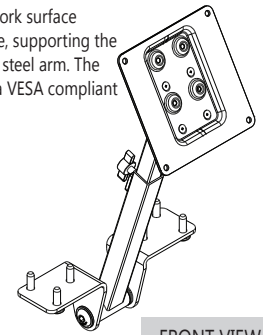
1-1/16" (27mm) for 18" or 24" D Surface,
3-13/16" (96.7mm) for 30" D Surface



FEATURES

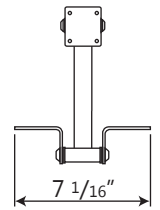
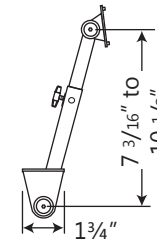
SURFACE MOUNT ARM

Mounts underneath work surface through grommet hole, supporting the flat panel display on a steel arm. The display attaches with a VESA compliant steel plate.



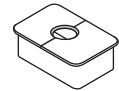
SIDE VIEW

FRONT VIEW



GROMMET

Black plastic work surface grommet with removable cover.



KEYBOARD DRAWER

Textured black thermoformed ABS keyboard drawer features soft radius edges. Five positive inward and outward stop locations. Outward locking tabs prevent accidental removal of keyboard drawer.

