

Lecterns & Podiums

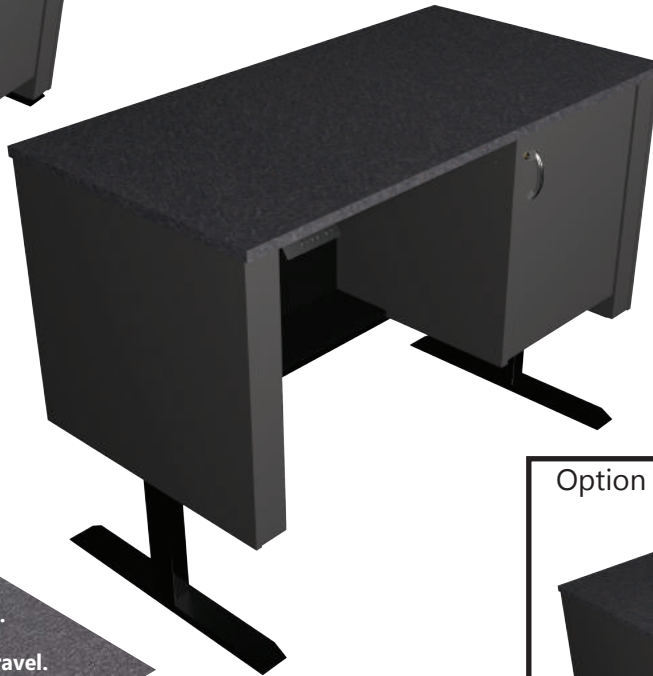
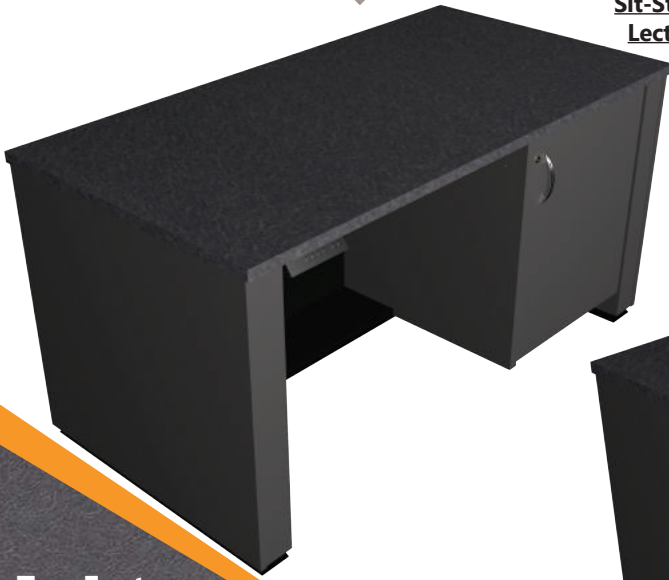
Standard

Sit-Stand Lectern



Model Number Structure

66	-	SS	30	57	30	L	X
		<u>Sit-Stand Lectern</u>	<u>Desk Depth</u> 30" D	<u>Desk Width</u> 57 5/8" W	<u>Desk Height</u> 30" H with 12" Travel	<u>Modesty Panel</u> L=Laminate M=Metal	<u>CPU Shelf</u> X=No CPU Shelf



Top Features

- ADA Compliant
- iMod™ wire management compartment with removable locking modesty panes to conceal wires.
- Multi-plug powerstrip included.
- 12 RU Rack Rails located in right locking compartment.
- Electrically adjustable from 30" base height with 12" travel.
- Thermofused Melamine worksurface & base.
- Manufactured with recycled post industrial materials.
- Flat PVC edgbanding with matching colors.
- Ships Assembled
- Proudly made in the USA

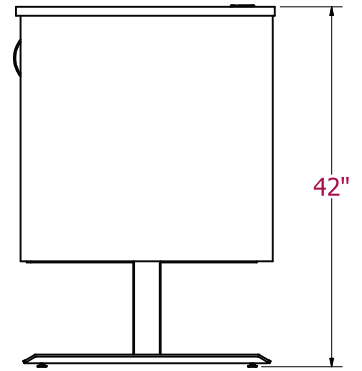
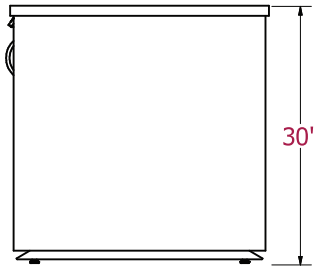
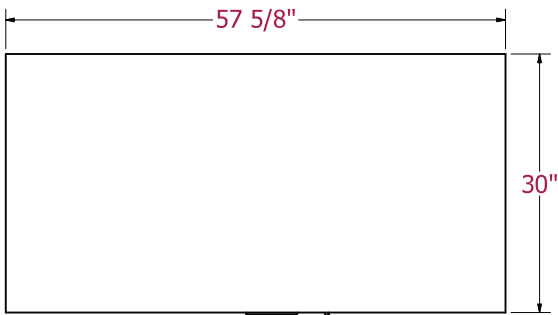


Also Available with these Visual Display Options

(See page 2 for more information)

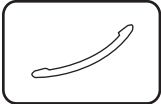


Product Dimensions



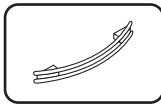
Pull Styles & Finish Options

STEEL



SB - Black
SP - Chrome Polished
SM - Chrome Matte

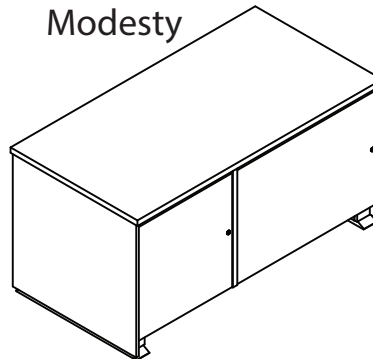
MODERN



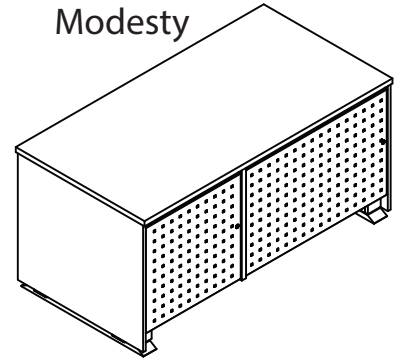
MC - Chrome Matte

Modesty Panel Options

Laminate Modesty

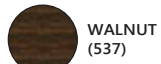


Perforated Metal Modesty



Laminate Color Options

Base Color Options



WALNUT (537)



EMPIRE MAHOGANY (531)



WILD CHERRY (567)



FUSION MAPLE (560)



WHITE (664)



FASHION GREY (227)



SILVER (N99)



SLATE GREY (129)

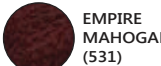


BLACK (174)

Worksurface Color Options



WALNUT (537)



EMPIRE MAHOGANY (531)



WILD CHERRY (567)



FUSION MAPLE (560)



WHITE (664)



FASHION GREY (227)



SILVER (N99)



GREY NEBULA (044)



BLACK LODESTONE (N62)

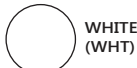


GRAPHITE NEBULA (030)

Metal Color Options (For Metal Modesty)



POLISHED BLACK (PBL)



WHITE (WHT)



POLISHED SILVER (PSL)



SLATE (SLL)

Visual Display Options

Trolley™ Monitor Lift

With the press of a button, the display emerges from its fully recessed compartment beneath the work surface while the patented access door provides a clean, uncluttered work space.



Surface Mount Arm

The Surface Mount Arm attaches to the underside of the work surface and provides limited adjustability of the flat panel display.



Downview™

The fully-adjustable arm allows for easy, under desk mounting of any flat panel display with all the benefits of the ergonomically proven Downward Gaze viewing angle.



Accessories & Other Options

Accessories:

Available with Grommets, Dataports, Pull-out Keyboard Tray, and other accessories..

Other Options:

Flip-up Shelf, Sliding Shelf, Rack Cube, Fixed Rack Shelf, Rack Drawer, Removable Console, & Ventilation Fan. Custom cutouts available upon request.



SALES@NOVASOLUTIONSINC.COM
NOVADESK.COM



NOVA Solutions, Inc.
421 Industrial Ave
Effingham, IL 62401
800-730-6682